

DCW100-200 SERIES

DC/DC Single Output: 100 ~ 200 Watts



Features

- Wide input range: **20 ~ 60VDC, 65 ~ 160VDC**
- Convection cooled: No fans
- Three power levels: 100, 150 & 200 watts
- Fully isolated input – output
- Over voltage protection
- Overload and short circuit protection
- Inrush current limiting
- MTBF > 150,000hrs
- Specials input / output combinations on request.
- Any output from 12vdc ~ 125vdc possible
- Customised mechanical solutions on request
- **DIN Rail** mounting options

Specifications:

Input Voltage	24 / 48VDC (20 ~ 60) 72 / 110VDC (65 ~ 160)
	• Other voltages on request
Input Protection	Reverse polarity protection. Inrush current limiting Thermal Fuse
Isolation	Input - Output 1500 vdc Input – Chassis 1500 vdc Output – Chassis 500 vdc
	• Other options on request
Efficiency	Model dependent , typically 83%
Switching Freq.	50kHz
Output voltage	Any voltage from 12 to 125VDC
Output Power	100 ~ 200 watts
Voltage adjustment	±5.0%
Parallel Operation	NO.
Line Regulation	±1% over input range
Load Regulation	±2% from no load to full load.

Output Protection	• Over voltage protection • Current limiting with hiccup mode. • Thermal protection
Short Circuit Protection	Current limiting with hiccup mode
EMI	EN55022 class A
Output Ripple & Noise	1% pk-pk maximum of output voltage setting
Operating Temp.	0°C to +50°C at full load. Derate 2.5% per °C from 50° -70°C.
Humidity	10-95% non-condensing (Conformal Coating optional)
Cooling	Conduction cooled or Convection cooled.
Output Alarm	N/A
Terminals	Screw- type terminal block (other options on request)
Dimensions & Weight	100W: 87 x 155 x 50mm (F0) 560g 150W: 198 x 112 x 51mm (F1) 900g 200w: 254 x 113 x 58mm (F2) 1.13kg

Model	Input V	Output V	Output A	Power W
DCW100-5FT	20 ~ 60V	5V	15A	75W
DCW100-12FT	20 ~ 60V	12V	8A	96W
DCW100-24FT	20 ~ 60V	24V	4A	96W
DCW100-48FT	20 ~ 60V	48V	2A	96W
DCW150-12FT	20 ~ 60V	12V	12A	144W
DCW150-24FT	20 ~ 60V	24V	6A	144W
DCW150-48FT	20 ~ 60V	48V	3A	144W
DCW200-12FT	20 ~ 60V	12V	16A	192W
DCW200-24FT	20 ~ 60V	24V	8A	192W
DCW200-48FT	20 ~ 60V	48V	4A	192W

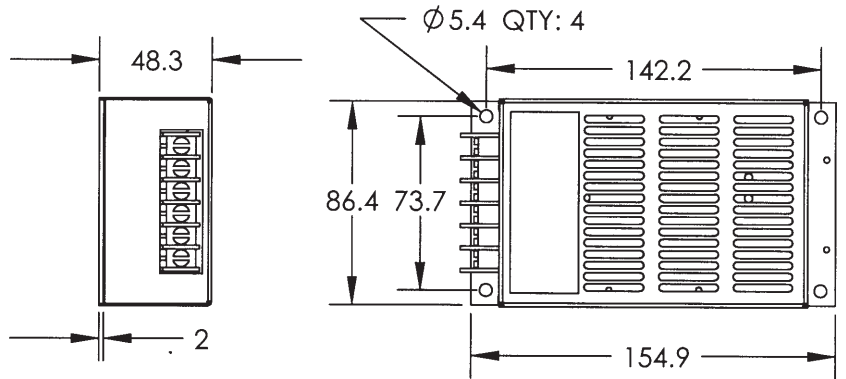
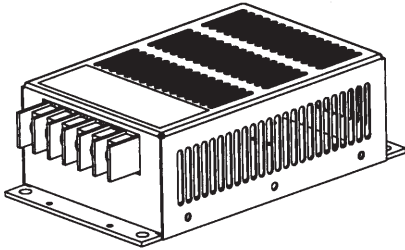
Model	Input V	Output V	Output A	Power W
DCW100-110-5FT	110V	5V	15A	75W
DCW100-110-12FT	110V	12V	8A	96W
DCW100-110-24FT	110V	24V	4A	96W
DCW100-110-48FT	110V	48V	2A	96W
DCW150-110-12FT	110V	12V	12A	144W
DCW150-110-24FT	110V	24V	6A	144W
DCW150-110-48FT	110V	48V	3A	144W
DCW200-110-12FT	110V	12V	16A	192W
DCW200-110-24FT	110V	24V	8A	192W
DCW200-110-48FT	110V	48V	4A	192W

- Other output voltage options up to 125V on request

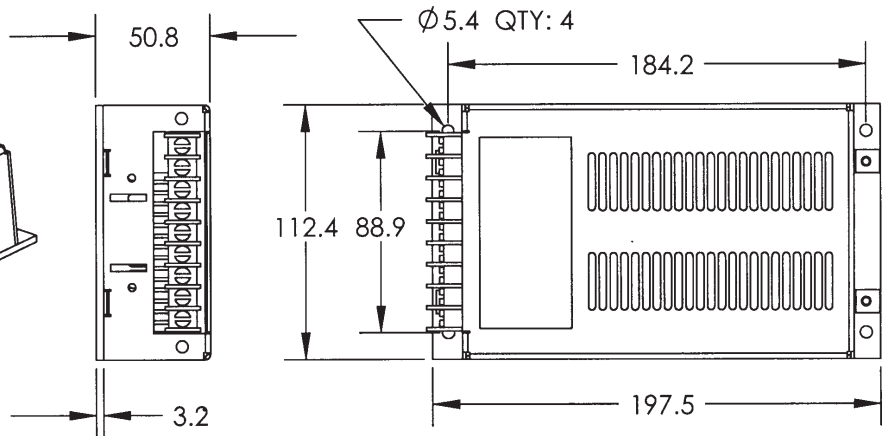
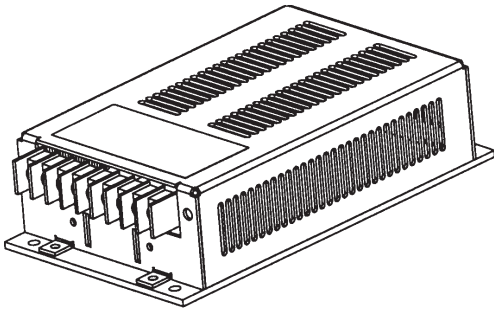
DCW100-200 SERIES

DC/DC Single Output: 100 ~ 200 Watts

DCW100



DCW150



DCW200

