

DCW300-500 SERIES

DC / DC Single Output: 300 ~ 500 Watts



Features

- Wide range of input / output voltage combinations
- 300 and 500 watt power options
- Convection cooled: No fans
- **N+1** redundancy : standard
- Output Fail alarm: standard
- Fully isolated input – output
- Over voltage protection
- Overload and short circuit protection
- MTBF > 200,000hrs
- Specials input / output combinations on request.
- Any output from 12vdc ~ 120vdc possible
- DCW300 with 12vdc option (250W)

Specifications:

Input Voltage	24VDC (20 ~ 29) 48VDC (38 ~ 60) 110VDC (88 ~ 140) • Other voltages on request
Input Protection	Reverse polarity protection. Inrush current limiting Thermal Fuse
Isolation	Input - Output 1500 vdc Input – Chassis 1500 vdc Output – Chassis 500 vdc • Other options on request
Efficiency	Model dependent , typically 80%
Switching Freq.	50kHz
Output voltage	Any voltage from 12 to 120VDC
Output Power	DCW300: 300 watts at input of 24vdc –140vdc DCW300: 250 watts at input of 12vdc DCW500: 500 watts at input of 24vdc – 140vdc
Voltage adjustment	±5.0%
Parallel Operation	Built-in isolation diode allows maximum two units to be connected in parallel for n+1 redundancy .

Line Regulation	±1% over input range
Load Regulation	±2% from no load to full load.
Output Protection	• Over voltage protection • Current limiting with hiccup mode. • Thermal protection
Short Circuit Protection	Current limiting with hiccup mode
EMI	EN55022 class A
Output Ripple & Noise	1% pk-pk maximum of output voltage setting
Operating Temp.	0°C to +50°C at full load. Derate 2.5% per °C from 50° -70°C.
Humidity	10-95% non-condensing (Conformal Coating optional)
Cooling	Conduction cooled or Convection cooled.
Output Alarm	Built-in Voltage free relay contacts
Terminals	Screw- type terminal block (other options on request)
Dimensions & Weight	DCW300: 290 x 132 x 62mm (F3) 2Kg DCW500: 352 x 132 x 62mm (F4) 2.5Kg

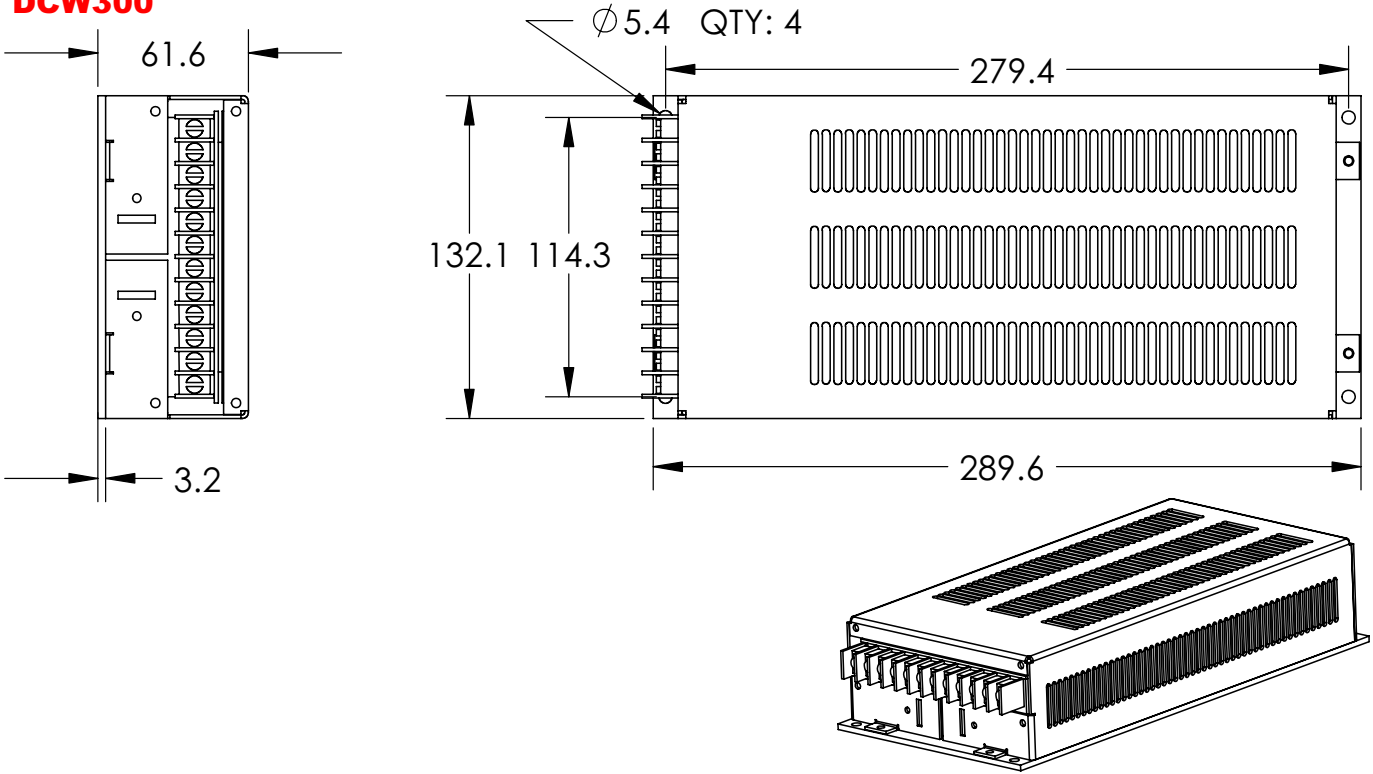
Model	Input V	Output V	Output A	Power W
DCW300-24-12FT	24V	12V	25A	300W
DCW300-24-15FT	24V	15V	20A	300W
DCW300-24-24FT	24V	24V	12.5A	300W
DCW300-24-48FT	24V	48V	6.2A	300W
DCW300-24-110FT	24V	110V	2.7A	300W
DCW300-48-12FT	48V	12V	25A	300W
DCW300-48-15FT	48V	15V	20A	300W
DCW300-48-24FT	48V	24V	12.5A	300W
DCW300-48-48FT	48V	48V	6.2A	300W
DCW300-48-110FT	48V	110V	2.7A	300W
DCW300-110-12FT	110V	12V	25A	300W
DCW300-110-15FT	110V	15V	20A	300W
DCW300-110-24FT	110V	24V	12.5A	300W
DCW300-110-48FT	110V	48V	6.2A	300W

Model	Input V	Output V	Output A	Power W
DCW500-24-12FT	24V	12V	40A	480W
DCW500-24-15FT	24V	15V	33A	500W
DCW500-24-24FT	24V	24V	20A	500W
DCW500-24-48FT	24V	48V	10A	500W
DCW500-24-110FT	24V	110V	4.5A	500W
DCW500-48-12FT	48V	12V	40A	500W
DCW500-48-15FT	48V	15V	33A	500W
DCW500-48-24FT	48V	24V	20A	500W
DCW500-48-48FT	48V	48V	10A	500W
DCW500-48-110FT	48V	110V	4.5A	500W
DCW500-110-12FT	110V	12V	40A	500W
DCW500-110-15FT	110V	15V	33A	500W
DCW500-110-24FT	110V	24V	20A	500W
DCW500-110-48FT	110V	48V	10A	500W

DCW300-500 SERIES

DC/DC Single Output: 300 ~ 500 Watts

DCW300



DCW500

