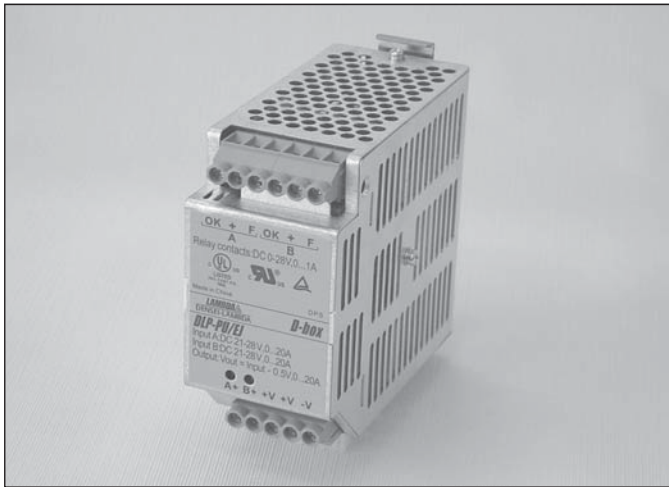


DLP-PU SERIES

Redundancy & Alarm Module: 24V 20A



Features

- Dual input : 24Vdc (A & B)
- Suitable for **n+1** redundancy applications of 24VDC power systems ...built-in isolation diodes
- Alarm relay, isolated contact outputs, N/C, Com, N/O, closed = input DC OK
- DIN Rail or Panel mounting
- Dual front panel LEDs for DC OK
- Safety approvals
- Can be used with any 24VDC power supply or DC-DC converter

Description

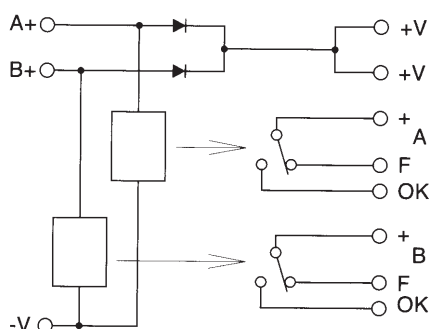
The DLP-PU/EJ is a dual power diode unit, receiving 24DC volts from two redundant sources of power delivering a common 24V power supply at the two +VE output terminals connected in parallel. The -VE return terminal is used for powering the internal supervisory logic circuits only.

The load is connected to one or both of the power output +VE terminals. Each one of these terminals can be continuously loaded with 20 Amperes.

Each power inlet is supervised. For voltages above a certain predetermined level a relay is activated closing a galvanically free contact, + to OK (Normally Open, N/O).

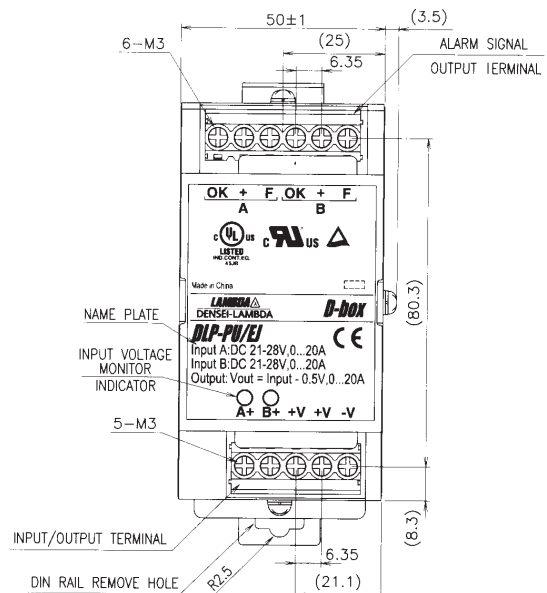
The relay also has a Normally Closed, N/C contact set, eg. + to F (Fail).

The DLP-PU is also equipped with two green LEDs, lighting simultaneously with the respective activated relay.



Specifications

INPUT VOLTAGE:	24VDC (21~28)
NUMBER OF INPUTS:	Two (A & B)
INPUT CURRENT:	Combined for two inputs, A & B @ 20A
OUTPUT CURRENT:	Maximum 20A total
EFFICIENCY:	97%
VOLTAGE DROP:	Input - Output 0.5 VDC
REVERSE OUTPUT VOLTAGE:	35 VDC
PROTECTION:	Overload: None Overvoltage: None
INPUT VOLTAGE MONITOR:	A & B inputs: LED indicator A & B inputs: DC OK relay contact Alarm
INPUT VOLTAGE ALARM:	19.2 VDC ±1% Low Alarm 30 VDC ±5% High Alarm
RELAY CONTACTS:	28VDC 1A or 120 VAC 0.5A rating
OPERATING TEMPERATURE:	-10°C to +60°C at 100% load, +70°C at 60% load
COOLING:	Convection cooled
ISOLATION VOLTAGE:	Input/Output - FG: 500VAC
SAFETY:	EN60950, UL1950, EN60529 IP20 cat.
EMI:	N/A
WEIGHT:	470g
DIMENSIONS:	50 x 97 x 110mm (W x H x D)
MOUNTING:	DIN rail or Panel Mount
CONNECTOR:	Screw terminal



(Unit: mm).