



Features:

- Universal AC input / Full range
- Programmable output Voltage (0% ~ 105%)
- Programmable output Current (0% ~ 105%)
- Forced current sharing at parallel operation
- Constant current limit
- Selectable +5V / 0.5A or +9V / 0.3A auxiliary output
- Global control via RS232
- Remote setting multiple PSU via RS232, RS485 & I²C
- Power OK signal
- Remote ON / OFF, Remote sense function
- Protection: OVP, OLP, OTP, Fan failure
- 3 years warranty

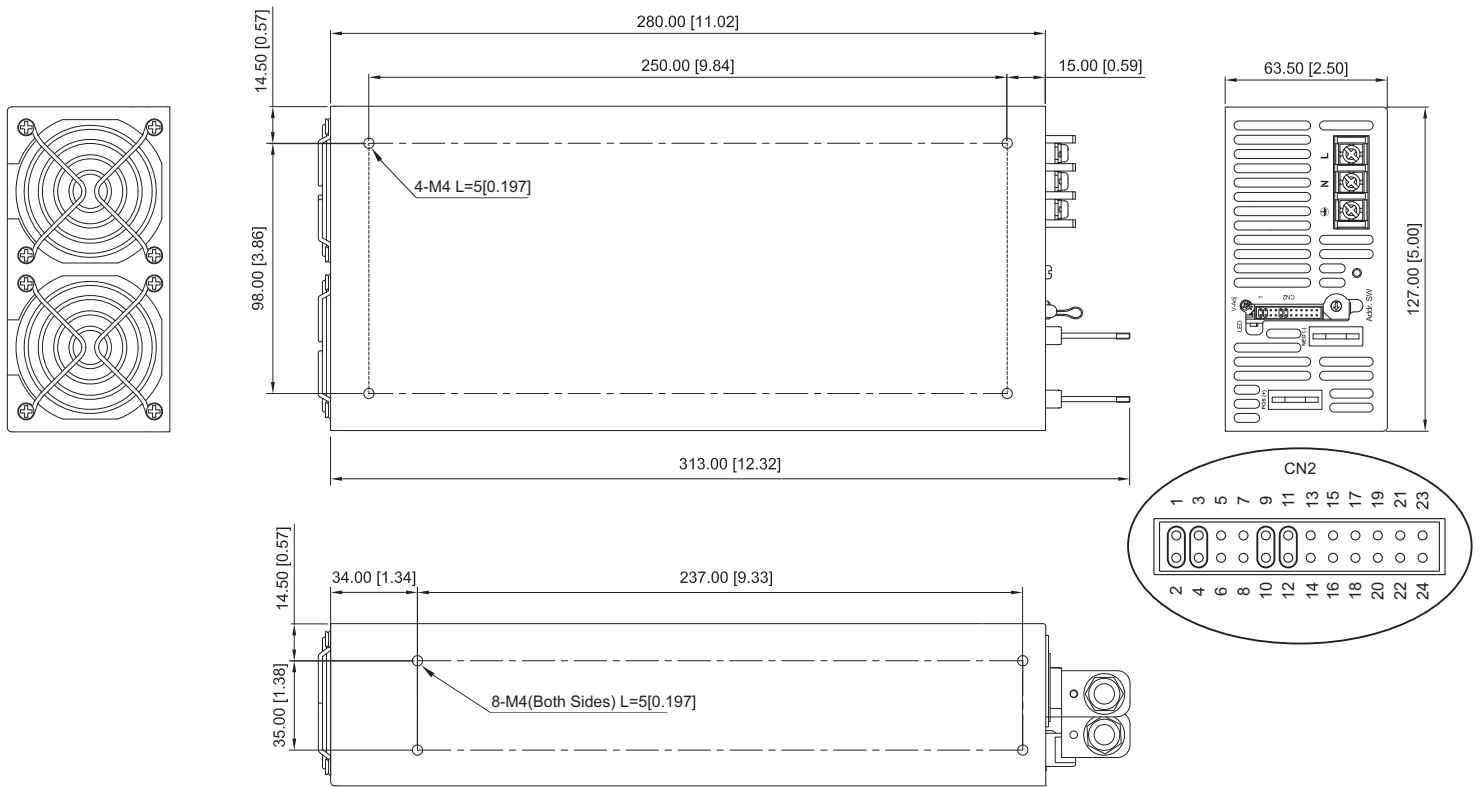


MODEL		IEAE-1500-12	IEAE-1500-15	IEAE-1500-24	IEAE-1500-30	IEAE-1500-36	IEAE-1500-48	IEAE-1500-60	
Output	DC Voltage Range	12V	15V	24V	30V	36V	48V	60V	
	Rated Current	125A	100A	62.5A	50A	41.7A	31.3A	25A	
	Current Range	0 ~ 125A	0 ~ 100A	0 ~ 62.5A	0 ~ 50A	0 ~ 41.7A	0 ~ 31.3A	0 ~ 25A	
	Rated Power	1500W	1500W	1500W	1500W	1501W	1502W	1500W	
	Ripple & Noise (Max.)	Note.2 150mVp-p	150mVp-p	240mVp-p	300mVp-p	360mVp-p	480mVp-p	600mVp-p	
	Voltage Adj. Range	±5.0% Typical adjustment by potentiometer. (VR1)							
	Voltage Tolerance	Note.3 ±2.0%							
	Line Regulation	±1.0%							
	Load Regulation	±1.0%							
	Setup, Rise Time	800ms, 100ms at full load							
Hold Up Time (Typ.)	14ms / 230VAC at full load								
Input	Voltage Range	Note.4 90 ~ 264VAC, 127 ~ 370VDC							
	Frequency Range	47 ~ 63Hz							
	Power Factor (Typ.)	0.95 / 230VAC, 0.99 / 115VAC at full load							
	Efficiency (Typ.)	89%	90%	92%	92%	92%	92%	93%	
	AC Current (Typ.)	18A / 115VAC, 9A / 230VAC							
	Inrush Current (Typ.)	30A / 115VAC, 45A / 230VAC							
Leakage Current	< 2.5mA / 240VAC								
Protection	Over Load	105% rated output power Protection type: Constant current limit							
	Over Voltage	Variable OVP, 120 ± 7% Vout. Refer to VCI VS OVP curve. Protection type: Latch-style (Recovery after reset AC power ON or inhibit)							
	Over Temperature	85 ±5°C detect on heat sink of secondary side Protection type: Auto recovery after temperature goes down							
Function	Auxiliary Power	Selectable +5V / 0.5A or +9V / 0.3A auxiliary output							
	Remote ON / OFF Control	By external switch							
	Power OK Signal	Open drain signal low when PSU turns on, Max. sink current: 20mA, Max. drain voltage: 40V.							
	Output Voltage Trim	Adjustment of output voltage is between 0 ~ 105% of rated output							
	Output Current Trim	Adjustment of output current is between 0 ~ 105% of rated output							
Parallel (Current Sharing)	Note.5	Please refer to page 5							
Environment	Working Temp.	-20 ~ +60°C (Refer to load de-rating curve)							
	Working Humidity	20 ~ 90% RH non-condensing							
	Storage Temp. & Humidity	-40 ~ +85°C, 10 ~ 95% RH							
	Temp. Coefficient	±0.02% / °C (0 ~ 50°C)							
	Vibration	10 ~ 500Hz, 2G 10min. / 1cycle, period for 60min. each along X, Y, Z axes Compliance to IEC 68-2-6, IEC 68-2-64							
Safety & EMC	Safety Standards	Certified UL 60950-1; EN 60950-1							
	Withstand Voltage	Note.7	I/P-O/P: 3KVAC (4242VDC), I/P-FG: 1.5KVAC (2121VDC), O/P-FG: 0.5KVAC (707VDC)						
	Isolation Resistance	I/P-O/P, I/P-FG, O/P-FG: 100M Ohms / 500VDC							
	EMI Conduction & Radiation	Certified EN 55022; EN 61204-3; EN 61000-6-3							
	Harmonic Current	Certified EN 61000-3-2; EN 61000-3-3							
EMS Immunity	Note.6	Certified EN 55024; EN6 1204-3; EN6 1000-6-1; IEC 61000-4-2, 3, 4, 5, 6, 8, 11							
Others	Cooling	Load and temperature control fan							
	Dimension (WxHxD)	127x63.5x280 mm / 5.000x2.500x11.024 inch							
	Packing	2.6kg; 6pcs / 16.6kg / 1.86CUFT							

- Note**
1. All parameters NOT specially mentioned are measured at 230VAC input, rated load and 25°C of ambient temperature.
 2. Ripple & noise are measured at 20MHz of bandwidth by using a 12" twisted pair-wire terminated with a 0.1uF & 47uF parallel capacitor.
 3. Tolerance: includes setup time tolerance, line regulation and load regulation.
 4. De-rating may apply in low input voltage. Please check the de-rating curve for more details.
 5. In parallel connection only one unit will operate if the total output load is less than 5% of the rated power.
 6. The power supply is considered a component which will be installed into a final equipment. The final equipment must be re-confirmed that it still meets EMC directives.
 7. This test is done without enclosure.

Mechanical Drawings:

Unit:mm / inch



AC Input Terminal Pin No. Assignment

Pin No.	Assignment
1	L
2	N
3	⏏

CN2 Function Description:

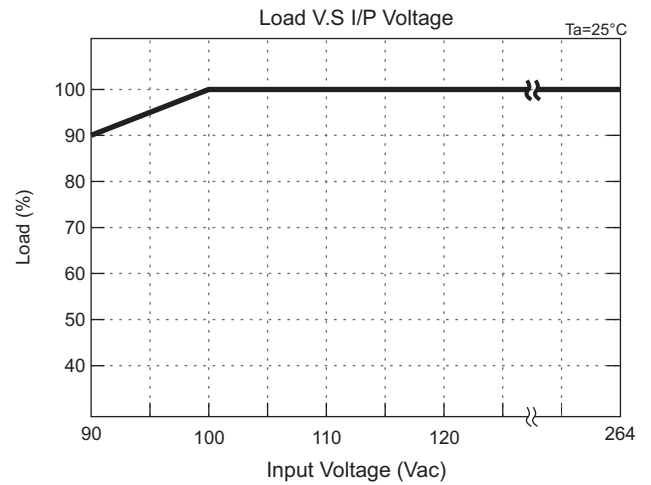
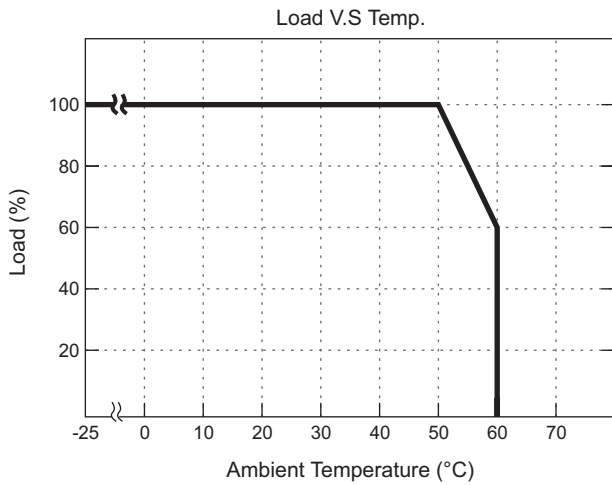
Pin No.	Function	Description	Pin No.	Function	Description	Mating Housing / Contact
1	VS+	Remote sense (+)	13	ACI	I Program	JST PHDR-24VS or equivalent
2	VO+	Positive output voltage	14	GND	Ground	
3	VS-	Remote sense (-)	15	VCI	V Program	
4	VO-	Negative output voltage	16	GND	Ground	
5	POK	Power OK	17	AUX	+5V / 0.5A or +9V / 0.3A Auxiliary power	
6	GND	Ground	18	GND	Ground	
7	PAR	Parallel operation current share	19	SCL	Serial Clock used in the I ² C interface	
8	VSET	Aux output setting	20	SDA	Serial Data used in the I ² C interface	
9	EN-	Inhibit ON/OFF (-)	21	AUX	+5V / 0.5A or +9V / 0.3A Auxiliary power	
10	GND	Ground	22	GND	Ground	
11	EN+	Inhibit ON/OFF (+)	23	NC.	For RS232 Receiver function	
12	AUX	+5V / 0.5A or +9V / 0.3A Auxiliary power	24	NC.	For RS232 Transmission function	

LED Status:

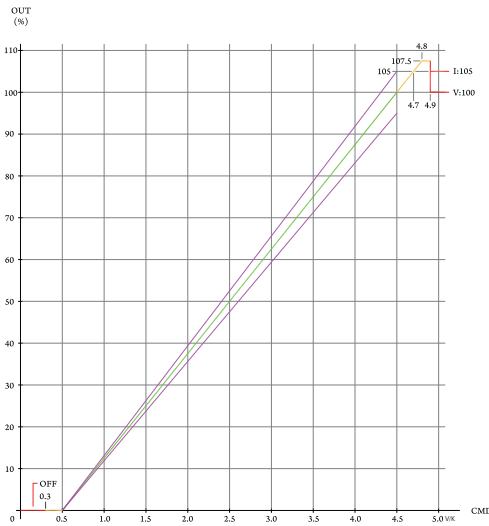
LED	LED Signal	Status
Solid(Green)		Power OK (Local mode)
Solid(Orange)		Power OK (Remote mode)
Slow Blink(Green)		Power Standby
Fast Blink(Red)		Over Voltage Protection (OVP)
Solid(Red)		Over Load Protection (OLP)
Slow Blink(Red)		Over Temperature Protection (OTP)
Intermittent Blink(Red)		Fan Failure
Interlace Blink(Red)		Power Failure

*Local mode : Use ACI/VCI to control output current and voltage.
 Remote mode : Use RS-232 or I²C command to control output current and voltage.

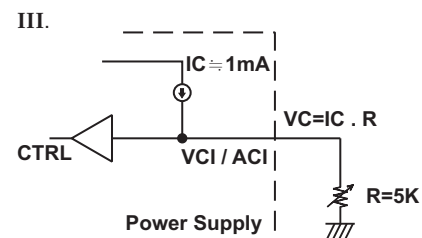
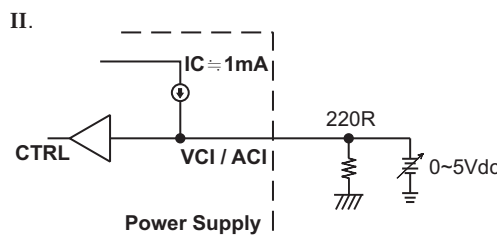
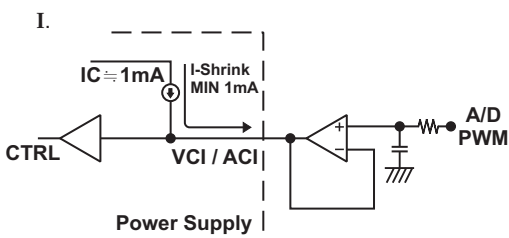
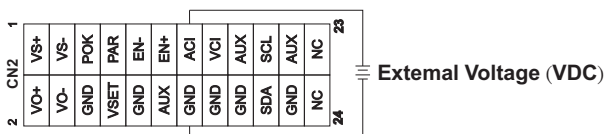
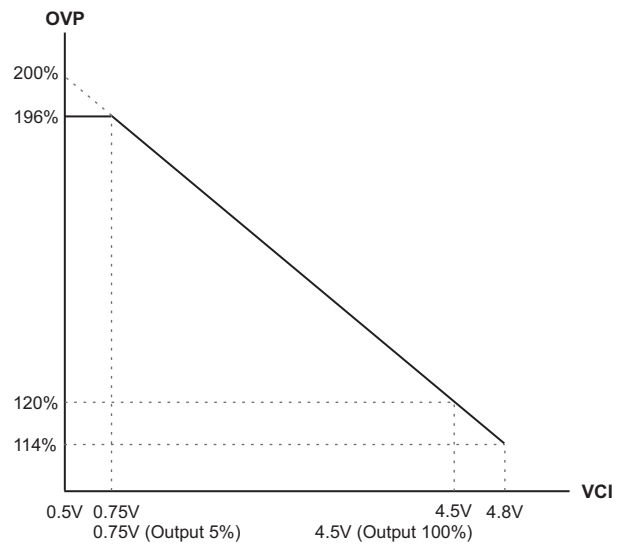
De-rating Curve:



CMD VS Output Curve:

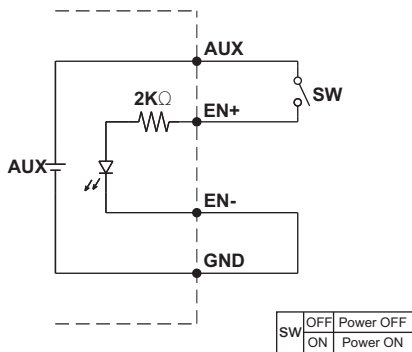


VCI VS OVP Curve:



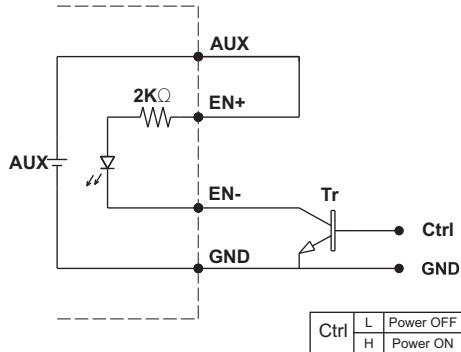
Remote ON/OFF:

(A) Default Setting



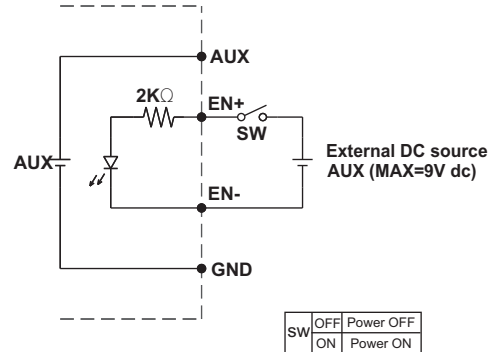
(A) Using internal 5V auxiliary source

(B)



(B) ON / OFF Control by NPN transistor

(C)



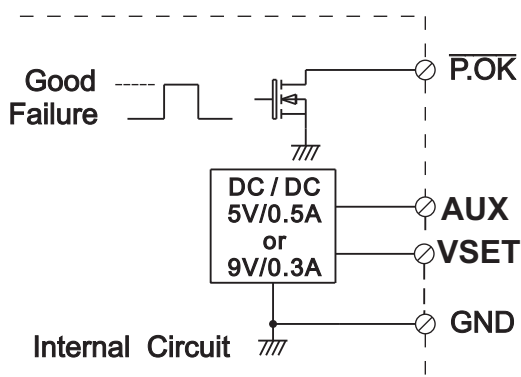
(C) Using external voltage source

Power OK Signal:

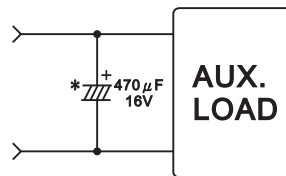
*The grounding of "AUX" power should be connected to "GND" port. If "V-" is connected as Grounding, make sure to short the GND and V- ports.

*Place an additional capacitor to have a better performance of auxiliary power operation.

VSET	Open(Default Setting)	5V
	Short To GND	9V

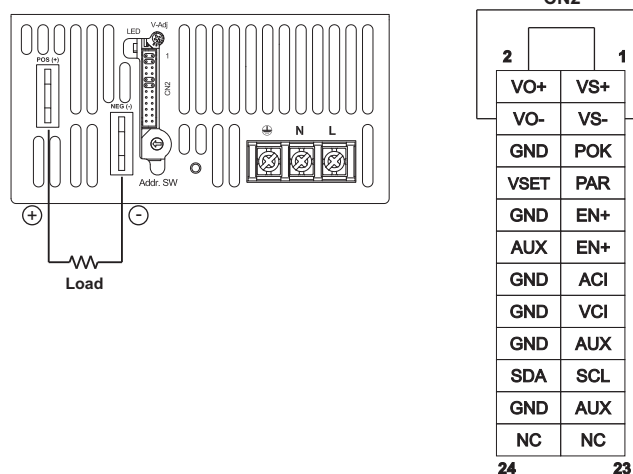
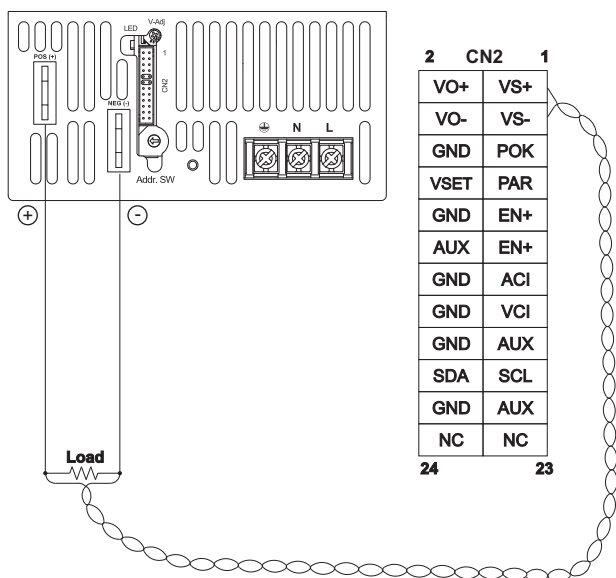


AUX and P.OK Signal

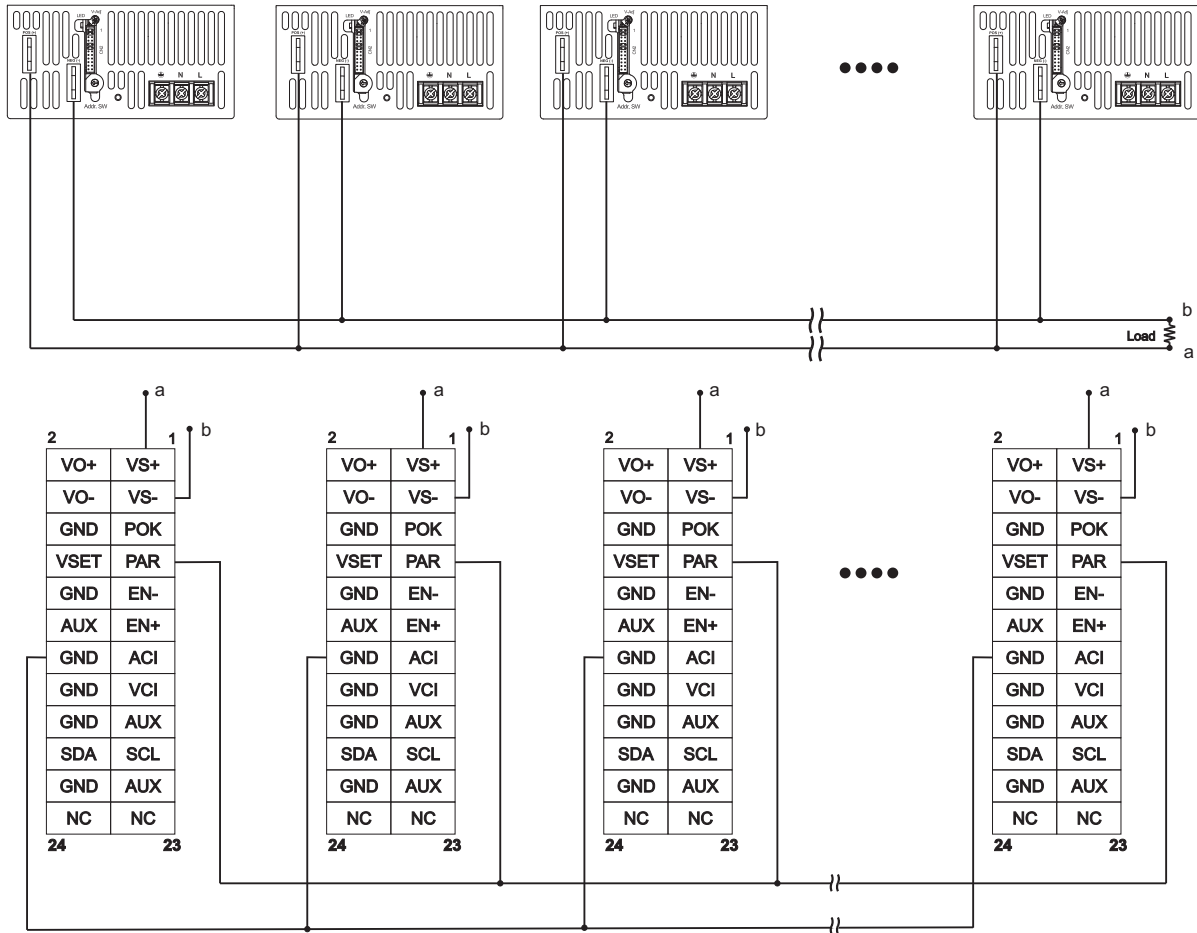


1. Remote Sense

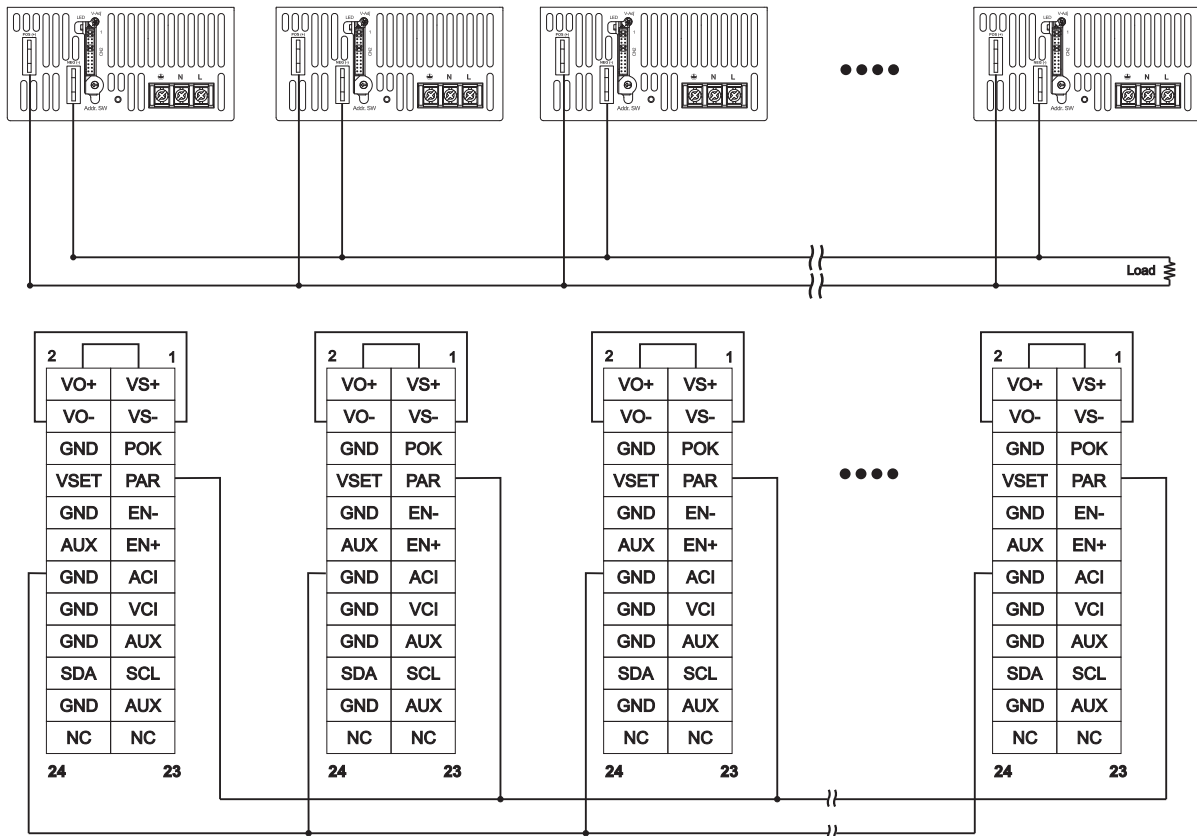
2. Local Sense (Default setting)



3. Current Sharing with Remote Sensing (Parallel Connection)



4. Current Sharing with Local Sensing

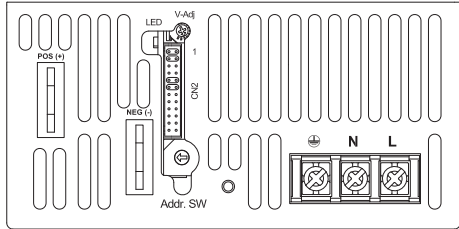


Installation Instruction:

1. Mounting Directions

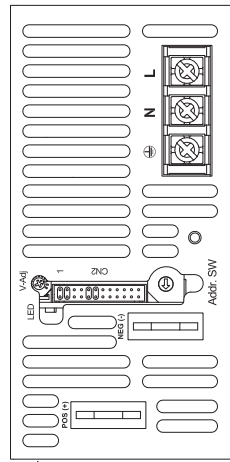
1-1 Recommended standard mounting methods:

(a)



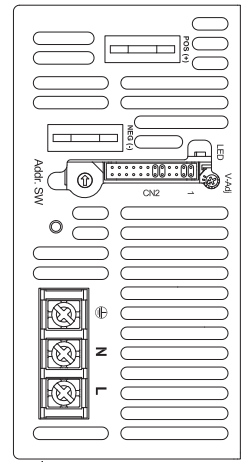
4-M4 L=5[0.197]

(b)



4-M4 L=5[0.197]

(c)



4-M4 L=5[0.197]

2. Mounting Method

2-1 There are ventilating holes on the front and back side panels, do not obstruct; allow 50mm at least for air flow.

2-2 Recommended the torque of mounting screw:
M4 screw: 1.27N • m (13.0kgf • cm)

