



2367



Optional internal V/I meter shown

*Ideal as a Standby Float Charger for lead acid batteries*

◆ 24 Month Warranty

**SPECIFICATIONS** All specifications are typical at nominal input, full load and at 20°C unless otherwise stated.

**ELECTRICAL**

<b>Input</b> • standard • option	230VAC (180 - 264), 45-65Hz 110VAC (88 -132), 45-65Hz
<b>Fusing</b>	Internal input fuse
<b>Overload protection</b>	Constant current limit under overload and short circuit conditions (except DC input versions which have primary current limit)
<b>Isolation</b>	1KV DC input - output / earth
<b>Over voltage protection</b>	130% of nominal output voltage
<b>Efficiency</b>	≥ 85%
<b>Inrush current</b>	Soft start circuit
<b>Output power</b>	750W
<b>Output voltage</b>	Refer to model table
<b>Line regulation</b>	<0.2% over AC input range
<b>Load regulation</b>	<0.4% open circuit to 100% load
<b>Noise</b>	<1%
<b>Drift</b>	0.03% / °C
<b>Hold-up time</b>	15 - 20 ms without battery
<b>Thermal protection</b>	Yes, self resetting
<b>Parallel operation</b>	Yes
- higher power	Addition of external output diodes optional
- N+1 redundancy	Use SR750D... with external output diodes

**PHYSICAL**

<b>AC input connector</b>	IEC320 inlet socket
<b>DC connections</b>	M8 brass stud or plug in/screw terminal block
<b>Alarm connections</b>	Plug-in screw terminal block
<b>Enclosure</b>	Powder coated steel
<b>Dimensions</b>	225W x 70H x 304D mm (excl. terminals)
<b>Weight</b>	4.3 Kg
<b>Indication LEDs</b>	<b>Standard:</b> Power OK, Standby <b>With alarms:</b> DC OK, Power OK, Standby
<b>Standby switch</b>	Turns off DC output of PSU

**ENVIRONMENTAL**

<b>Operating temperature</b>	0 to + 50 °C ambient at full load De-rate linearly >50 °C to no load @ 70 °C
<b>Storage temperature</b>	-10 to 85 °C ambient
<b>Humidity</b>	0 - 95% relative humidity non-condensing
<b>Cooling</b>	Fan cooled

**STANDARDS**

<b>EMI</b>	To CISPR 22 / EN55022 class A
<b>Safety</b>	To IEC950 / EN60950 / AS/NZS3260

**ACCESSORIES SUPPLIED**

Mounting feet together with screws  
AC power cord 1.5m with IEC320 socket and NZ/Aust plug  
Mating screw-terminal plug for alarm outputs  
Crimp lugs for stud terminal versions  
DC screw terminal plug-in connector for 'X' version

# 750 Watt AC/DC Stand Alone Power Supply/Float Charger

# SR750A

incl. SR750D, SR750L

## STANDARD MODEL TABLE

MODELS	Power Supply		Battery Charger		Adjustable range (V)
	Output Volts (factory default)	Output Current (A) (continuous)	Output Volts* (Charging)	Output Current (A) (Charging)	
SR750A12	13.8	54 (54 @ 11-14V)	13.8	54	11-14
SR750A24	24	31.2	27.6	27	22- 29
SR750A30	30	25	34.5	21.7	28-36
SR750A36	36	20.8	41.4	18	34-43
SR750A48	48	15.6	55.2	13.6	45-57
SR750A91	96	7.8	110	6.8	90-115
SR750A92	108	6.9	124	6.0	111-130
SR750A93	120	6.2	138	5.4	110-145

\* Please specify on ordering that unit is to be used for float charging (except for 12V model which is set at 13.8V by default).



Rear view of SR750D...or SR750L... with alarm contacts and no communication port option

## OPTIONS

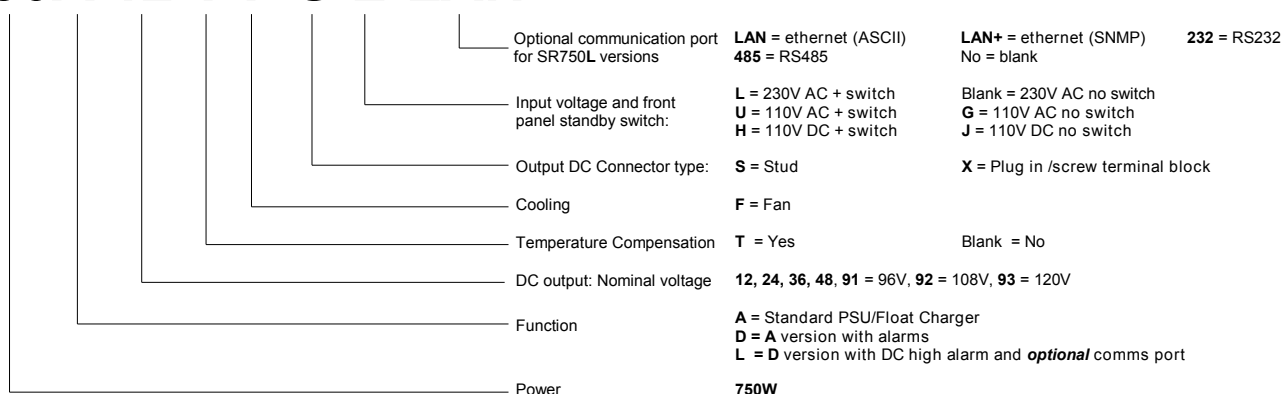
<b>Temperature compensation for charging</b>	Temperature sensor on 1.7m lead with adhesive pad: -4mV / °C / cell ±10% Order Code: <b>+TEMPCO</b>
<b>Alarms - SR750D..</b>	<ul style="list-style-type: none"> <li>• <b>Mains fail</b> (or PSU in standby mode)</li> <li>• <b>DC low</b> (Battery low or PSU low) <ul style="list-style-type: none"> <li>- Charger: set at 1.83V/cell</li> <li>- PSU: set at 83% V out</li> </ul> </li> </ul>
<b>- SR750L..</b>	<ul style="list-style-type: none"> <li>• As <b>SR750D..</b> + DC high alarm (<b>NB:</b> DC OK alarm on this model indicates either DC low or DC high)</li> </ul>
<b>Alarm contacts</b>	C - NO - NC changeover rated 1A /50V DC, 32VAC
<b>DC Input</b>	110VDC (99-150) or 220VDC (180-270) Please note that an external fuse or MCB must be fitted on the output for short circuit protection.
<b>Earth fault alarm (external to PSU))</b>	Detects leakage to earth of DC output and provides relay output Code: <b>+ALARM/EFDM (20-60V)</b> <b>+ALARM/EFDH (61-150V)</b>

## OPTIONS (continued)

<b>Communications port</b>	Choice of RS485, RS232, ethernet (SNMP or ASCII) Available on <b>SR750L...</b> models
<b>Internal V/I meter</b>	Add code: <b>+INT-METER</b>
<b>Mounting options:</b>	
<b>19" rack mount</b>	2U sub rack available, <b>Code: SR-RM2U</b> Optional V/I meter, <b>Code: SR-METER</b>
<b>Wall mount enclosure</b>	PSU may be fitted into enclosure with MCBs and terminals. <b>Code: SEC-SR</b>

## MODEL IDENTIFICATION CODES

# SR750A 12 T F S L-LAN



Specifications are subject to change without prior notice.