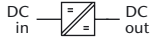


Features

- DC input: 18 - 380 V
- AC input: 115 / 230 V, 47 - 400 Hz
- DC output: 8 / ... / 250 V
- Continuous short circuit protection
- Overvoltage protection with auto restart
- Industrial grade components
- Compact and robust design



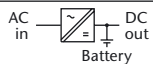
DC / DC Converters

▶ 450 W				▶ 600 W					
Input VDC							Output VDC		
18-36 VDC	Output Amps	36-75 VDC	45-90 VDC	80-160 VDC	160-320 VDC	320-380 ¹⁾ VDC	Output Amps	Adj.	Range
C 2721	38	C 2731	C 2741	C 2751	C 2771	C 2781 Z	48	9	8- 10
C 2722	34	C 2732	C 2742	C 2752	C 2772	C 2782 Z	40	12	11- 13
C 2723	28	C 2733	C 2743	C 2753	C 2773	C 2783 Z	34	15	14- 16
C 2724	18	C 2734	C 2744	C 2754	C 2774	C 2784 Z	23	24	23- 26
C 2725	16	C 2735	C 2745	C 2755	C 2775	C 2785 Z	20	28	26- 30
C 2729	9	C 2739	C 2749	C 2759	C 2779	C 2789 Z	12	48	45- 55
C 2726	7	C 2736	C 2746	C 2756	C 2776	C 2786 Z	10	60	58- 68
C 2727	4	C 2737	C 2747	C 2757	C 2777	C 2787 Z	5	110	100- 130
C 2728	2	C 2738	C 2748	C 2758	C 2778	C 2788 Z	2.6	220	200- 250



AC / DC Converters

▶ 600 W					
Input VAC, 1-Phase				Output VDC	
115 ±20%	230 ^{+15%} _{-20%}	115 ±20% / 230 ^{+15%} _{-20%}	Output Amps	Adj.	Range
C 2761	C 2781	C 2791	48	9	8- 10
C 2762	C 2782	C 2792	40	12	11- 13
C 2763	C 2783	C 2793	34	15	14- 16
C 2764	C 2784	C 2794	23	24	23- 26
C 2765	C 2785	C 2795	20	28	26- 30
C 2769	C 2789	C 2799	12	48	45- 55
C 2766	C 2786	C 2796	10	60	58- 68
C 2767	C 2787	C 2797	5	110	100- 130
C 2768	C 2788	C 2798	2.6	220	200- 250



Battery Chargers

▶ 600 W					
Input VAC, 1-Phase				Output VDC	
115 ±20%	230 ^{+15%} _{-20%}	115 ±20% / 230 ^{+15%} _{-20%}	Output Amps	Nom. Battery Voltage	Range
B 2761	B 2781	B 2791	34	12	12- 16
B 2762	B 2782	B 2792	20	24	24- 32
B 2764	B 2784	B 2794	10	48	48- 64
B 2766	B 2786	B 2796	8	60	60- 80
B 2767	B 2787	B 2797	4.4	110	110- 145
B 2768	B 2788	B 2798	2.2	220	220- 290

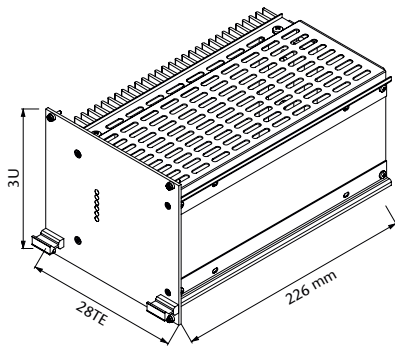
Assistance in table use:

- 1 Select the column for input voltage range.
- 2 Select the row for the appropriate output voltage.
- 3 The intersection of both results in the module required.

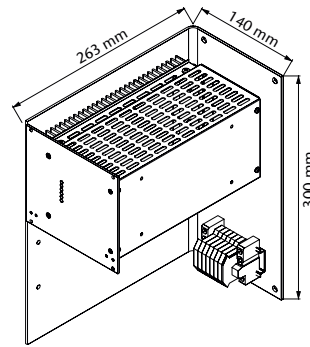
For example:

- 1 input voltage = 24 VDC
- 2 output voltage = 220 VDC @ 2 A
- 3 results in a C 2728 module.

¹⁾ input supply from PFC also suitable



Eurocassette / approx. 3.0 kg
(pluggable module for 19" sub-rack)



Wall mount / approx. 5.5 kg

Specifications

Input

Voltage range see table, unit switches off at under- and overvoltage
 No-load input power. 5 - 6 W
 Switch-on time 500 ms typical
 Inrush current AC input: limited by thermistor
 Hold-up time AC input: 10 ms typical

Immunity

- ESD. acc. to DIN / EN 61000-4-2 level 3
 - Fast transients acc. to DIN / EN 61000-4-4 level 3
 - Surges acc. to DIN / EN 61000-4-5 level 3

Output

Line regulation ($\pm 10\%$) 0.1 %
 Load regulation (10 - 90 %) 0.2 %
 Load transient (10-90-10 %) 6 % typical
 Response time to $\pm 1\%$ 2 - 3 ms
 Turn-on rise time Soft-start, 100 ms typical
 Ripple. $\leq 1\% + 30\text{ mV}_{\text{p-p}}$
 Overload protection current limited to 105 - 110 % of I_{nom}
 Overvoltage protection. OVP switches off module with automatic return to operation
 Remote sense. standard for C series, up to 10 % of U_{nom} for output < 60 VDC, up to 6 V for output > 60 VDC

General

Efficiency 70 - 92 %
 Operating temperature. -20 to +75 °C
 Load derating 2.5 % / °C from +55 °C
 Storage temperature -40 to +85 °C
 Humidity up to 95 % RH, non-condensing
 Cooling natural convection
 Temperature coefficient 0.02 % / °C typical
 Safety / Construction. acc. to DIN / EN 60950-1: 2003
 Protection category. IP 20, others or NEMA upon request
 EMI. acc. to EN 55022, class A, optionally class B
 MTBF approx. 120,000 h @ 40 °C
 acc. to MIL - HDBK - 217 E (notice 1)
 Connector for eurocassette - std. design H 15
 Marking CE

Options

Input

- Inrush current limiting for DC input
- Reverse polarity protection for DC input
- Autoranging for 115 / 230 VAC input

Output

- Parallel operation
- Redundant operation
- Inhibit (remote on / off)

Signals

via open collector or relay contacts

- Power ok (input)
- DC ok (output)

Programming

- Output voltage or current via
 - external potentiometer
 - analog signal
 - interface card RS232 or IEEE488 (external)

Battery charger

- Temperature compensated charging voltage
- Automatic / manual selection of charging characteristic (external)

Monitoring

- Input / output voltage or current via
 - analog signal
 - interface card RS232 or IEEE488 (external)

Mechanics / environment:

- 19" sub-rack for eurocassette
- Wall mount
- Increased mechanical strength
- Tropical protection
- Extended temperature range to -40 °C