

- Uninterruptible No-Break™ DC Power Supply / battery back-up system
- Designed for security & access control uses
- Separately fused battery and load outputs
- Independent battery charge current limit
- Lockable enclosure
- Tamper alarm when door is opened
- Reverse battery polarity protection

SL 12/05S & SL12/10S only:

- Mains fail & Battery low (optional on 35W & 40W models)
- Low voltage disconnect to protect batteries
- No mains wiring required - can be installed by non-electrically registered personnel

* Note for NZ customers, these models are available only through Intek Security Group Ltd (Auckland, Wellington, Christchurch)

SPECIFICATIONS All specifications are typical at nominal input, full load and at 20°C unless otherwise stated.

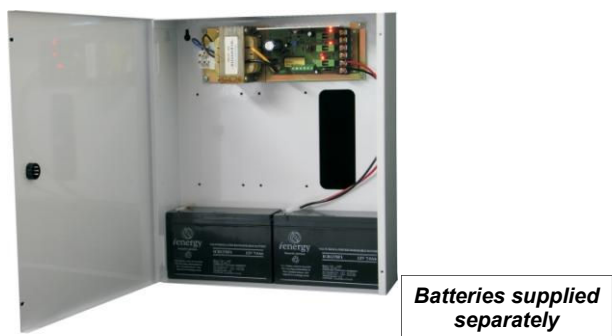
ELECTRICAL	
AC Input	230 / 240 VAC ± 5% 50Hz , 0.4A
DC Outputs	2 x Load plus 1 x Battery, all fused with LED indication
Isolation	3.5KV AC 1 min. input - output 1.5KV AC, 1 min. input - output - earth
Output Voltages	13.8V or 27.6V as per model table
Current Limits	Refer to model table
Line Regulation	< 0.2% over input range
Load Regulation	< 0.5% open circuit to full load
Ripple	< 0.2% Pk-Pk, 0.05% RMS
Hold-up time	20ms
Operating Temp.	0°C to 50°C, max. 60°C at 50% load
Battery to Load Voltage Drop	0.3V max
Battery Low Voltage Disconnect	Set at 10V
Load Dump Jumper (70W & 138W only)	A jumper is fitted on PCB but may be replaced with a user relay contact to disconnect loads (from battery & PSU)

FUNCTIONS AND ALARMS	
Reverse Polarity	Battery reverse connection will open battery fuse (and produce alarm)
Alarms (Mains fail & Battery low standard for 70W & 138W)	<ul style="list-style-type: none"> • Tamper switch activates when enclosure door opened • Mains Fail¹ (also detects PSU fail) • Battery Low (set at 11V) •
Contact ratings	NO - NC full changeover rated 1A /50V DC, 32 VAC
Indicators	Green LEDs on when fuses OK

PHYSICAL	
Enclosure	White powder coated steel enclosure with locking door (lock & 2 keys included)
Dimensions	35W & 40W: 295 H x 280 W x 76 D 70W & 138W: 335 H x 342 W x 135 D
Weight (with enclosure)	35W & 40W: 4kg 70W: 6.3 kg 138W: 8.2 kg
Mounting	Wall mount via 2 x keyholes at top rear of enclosure plus 2 holes at bottom
Battery Compartment	Takes up to 4 x 7Ah or 2 x 12Ah batteries
Cable Entry	"Knockout" holes top and bottom, 25mm diameter and 25mm square/20mm diam.

STANDARDS	
EMI	To EN55022 Class A
Safety	EN60950, AS/NZS3260

CONNECTIONS	
AC Input Connection	35W & 40W: Hard wired 70W & 138W: IEC 320 connector with 3 Pin NZ/Aust plug
DC Output	Barrier terminals



SL 12/2.5S & SL 24/1.5S

35 - 138 Watt Linear No-Break™ DC UPS in security enclosure



STANDARD MODEL TABLE (Suffix -S includes enclosure)

MODEL CODES	Output Voltage (V)	Max. Recomm. Load Current (A)	Charge Current Limit (A)	PSU Rated Current (A)	Power (W)	Mains Fuse (A)	Load Fuses (A)	Battery Fuse (A)
SL 12/2.5S	13.8	2.0	0.5	2.5	35	1	1	1
SL 24/1.5S	27.6	1.1	0.4	1.5	40	1	1	1
SL 12/05S	13.8	2.6	1.2	3.8	70	3	5	10
SL 12/10S	13.8	6	2.0	8.0	138	3	10	20

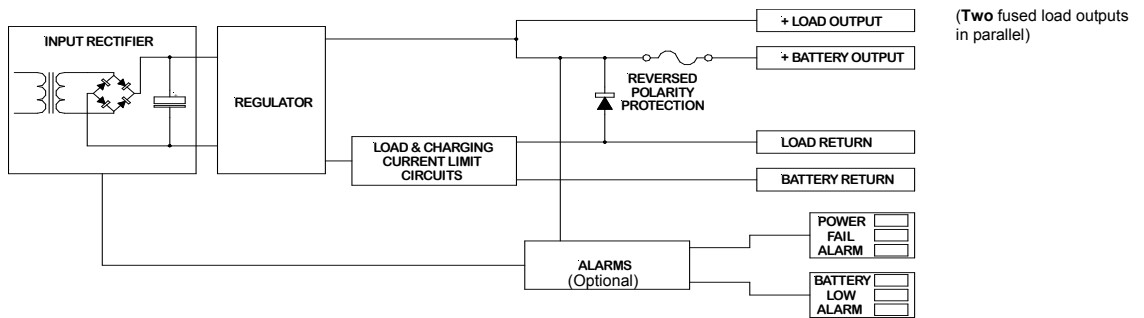
OPTIONS FOR SL12/2.5S & SL24/1.5S

Alarms	<ul style="list-style-type: none"> • Mains Fail • Battery Low (set at 1.83V / cell) <p>2 x Relay outputs –clean changeover contacts rated 1A /50V DC, 32VAC</p>
Camlock	Lockable front door

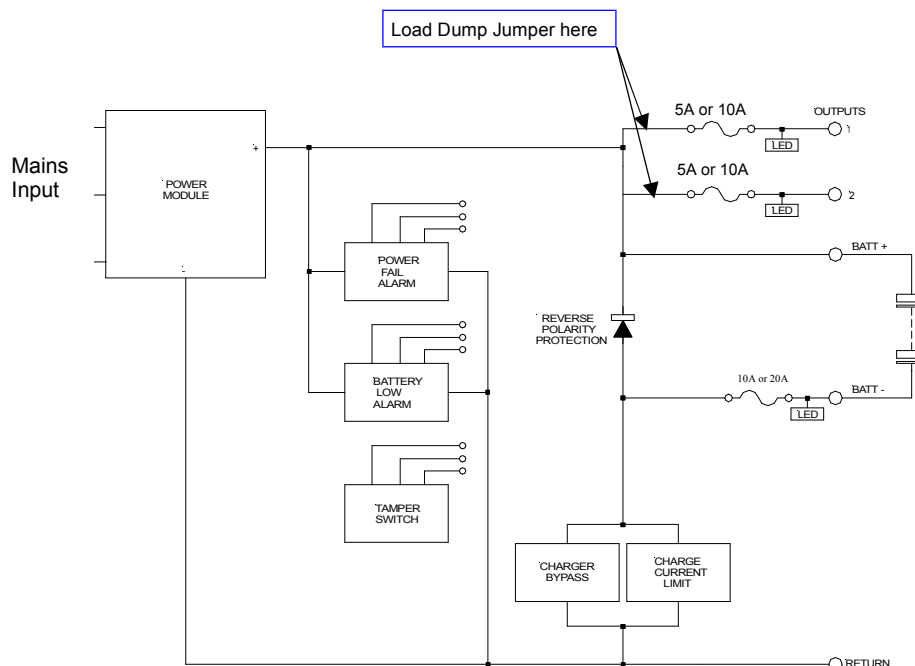
NOTE: All models available without cabinet, replace suffix 'S' in model code with 'C'

WARNING: Battery must be connected for loads such as motors and incandescent lamps which are low resistance on start up.

SYSTEM BLOCK / CONNECTION DIAGRAMS



SL 12/2.5S
SL 24/1.5S



SL 12/05S
SL 12/10S