

# DCW300-500 SERIES

DC/DC Single Output: 300 - 500 Watts



## Features

- Wide range of input/output voltage combinations
- 300 and 500 watt models
- Convection cooled - no fans
- **N+1** redundancy: standard
- Output Fail Alarm: standard
- Input - Output isolation
- Overvoltage protection
- Overload and short circuit protection
- MTBF >200,000 hours
- Any output from 12VDC - 120VDC possible

## General Specifications

<b>Input Voltage:</b>	<b>24VDC</b> (20 - 29) <b>48VDC</b> (38 - 60) <b>110VDC</b> (88 - 135) • Other voltages on request
<b>Output Voltage:</b>	12V, 24V, 48V are standard. On request: any voltage from 12 to 120VDC
<b>Output Power:</b>	300/500 watts at input of 24VDC - 120VDC 250 watts at input of 12VDC ( <b>DCW300</b> )
<b>Voltage Adjustment:</b>	-1% to +15%
<b>Output Protection:</b>	Overcurrent protection Overvoltage protection
<b>Operating Temp:</b>	0°C to 50°C at 100% load
<b>Isolation:</b>	Input - Output 1500VDC
<b>Parallel Operation:</b>	Built-in isolation diode allows maximum two units to be connected in parallel for <b>N+1</b> redundancy
<b>Alarm:</b>	Yes. Built-in Voltage Free Contacts
<b>Dimensions/Weight:</b>	DCW300: 290 x 132 x 62mm    2Kg DCW500: 352 x 132 x 62mm    2.5Kg

## Description

The DCW300-500 series DC/DC converters use a field proven high frequency push-pull topology to generate 300 and 500 watts output power with convection/conduction cooling. Any DC input/output configuration is possible, apart from the most frequently requested outputs listed on the table below. The chassis mount design features low component count and high efficiency, resulting in a demonstrated MTBF>200,000 hours confirmed by a track record established in hundreds of applications. Additional ruggedising and conformal coating are available for applications requiring higher immunity to shock, vibration, humidity, moisture, dust and insects. Built-in redundancy diode and output DC fail alarm makes them suitable for parallel operation in **N+1** redundancy applications.

- **For more detailed information on DCW300-500 series, visit our website.**

## Options

<b>Special Voltage:</b>	Customer specified input and output voltage options.
<b>Ruggedising:</b>	For higher level of shock and vibration.

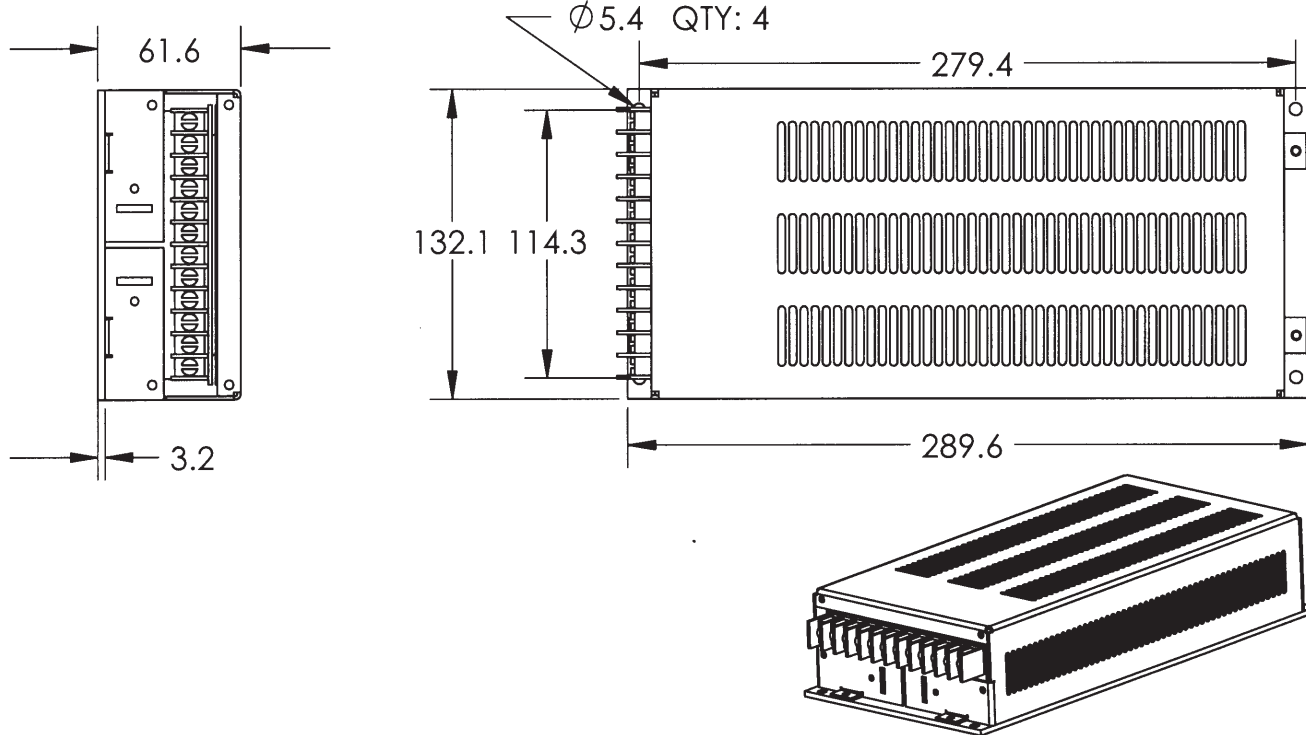
Model	Input	Output		Power W
		V	A	
DCW300-24-12FT	24V	12V	25A	300W
DCW300-24-15FT	24V	15V	20A	300W
DCW300-24-24FT	24V	24V	12.5A	300W
DCW300-24-48FT	24V	48V	6.2A	300W
DCW300-24-110FT	24V	110V	2.7A	300W
DCW300-48-12FT	48V	12V	25A	300W
DCW300-48-15FT	48V	15V	20A	300W
DCW300-48-24FT	48V	24V	12.5A	300W
DCW300-48-48FT	48V	48V	6.2A	300W
DCW300-48-110FT	48V	110V	2.7A	300W
DCW300-110-12FT	110V	12V	25A	300W
DCW300-110-15FT	110V	15V	20A	300W
DCW300-110-24FT	110V	24V	12.5A	300W
DCW300-110-48FT	110V	48V	6.2A	300W

Model	Input	Output		Power W
		V	A	
DCW500-24-12FT	24V	12V	40A	480W
DCW500-24-15FT	24V	15V	33A	500W
DCW500-24-24FT	24V	24V	20A	500W
DCW500-24-48FT	24V	48V	10A	500W
DCW500-24-110FT	24V	110V	4.5A	500W
DCW500-48-12FT	48V	12V	40A	500W
DCW500-48-15FT	48V	15V	33A	500W
DCW500-48-24FT	48V	24V	20A	500W
DCW500-48-48FT	48V	48V	10A	500W
DCW500-48-110FT	48V	110V	4.5A	500W
DCW500-110-12FT	110V	12V	40A	500W
DCW500-110-15FT	110V	15V	33A	500W
DCW500-110-24FT	110V	24V	20A	500W
DCW500-110-48FT	110V	48V	10A	500W

# DCW300-500 SERIES

DC/DC Single Output: 300 - 500 Watts

## DCW300



## DCW500

