

LS SERIES

AC/DC Single Output: 25 - 150 Watts



Features

- Lowest cost solution
- Universal input 88 - 264 VAC
- Withstands 300VAC voltage surges (5 sec)
- Wide range of models: 25 - 150 watts
- Output voltage adjustment
- Short circuit and OVP protection
- Harmonic correction EN61000-3-2
- Power factor 0.98
- EMC: EN55022, Immunity to EN61000-4
- International safety approvals EN60950, UL60950
- Convection cooled & full power to 50°C
- Vented case package

General Specifications

Input Voltage:	LS25 - LS100 : 88 - 264VAC LS150: 88 - 132/ 176 - 264VAC (Switch selectable)
Power Factor	0.98
Output Voltage:	3.3 - 48VDC options
Output Power:	25 - 150 watts
Voltage Adjustment:	±10% by on-board trim pot
Output Protection:	<ul style="list-style-type: none"> • Current limiting with auto recovery • OVP protection
EMI:	EN55011 and EN55022 - B
Immunity:	EN61000 - 4
Safety:	UL60950, EN60950-1
Isolation:	Input - Output 3000VAC
Operating Temp:	-25°C to +50°C at 100% load Derate to 60% at 70°C
Cooling:	Convection cooled
Connector:	Screw terminals
Dimensions: (L x W x H)	LS25: 79 x 51 x 28mm. LS75: 129 x 98 x 38mm LS35: 99 x 81 x 36mm. LS100: 160 x 97 x 38mm LS50: 99 x 97 x 36mm LS159: 199 x 98 x 38mm
Weight:	LS25: 200g. LS35: 300g. LS50: 350g. LS75: 410g. LS100: 600g. LS150: 700g.

(LS25-LS30: Preliminary information)

Model	Output			Power W
	V	A	V Range	
LS25 - 3	3.3V	6A	3.0 - 3.3V	25W
LS25 - 5	5V	5A	4.75 - 5.5V	
LS25 - 12	12V	2.1A	10.8 - 13.2V	
LS25 - 15	15V	1.7A	13.5 - 16.5V	
LS25 - 24	24V	1.1A	22 - 27.2V	
LS25 - 36	36V	0.75A	32 - 40V	
LS25 - 48	48V	0.57A	42 - 54V	
LS35 - 3	3.3V	7A	3.0 - 3.3V	
LS35 - 5	5V	7A	4.75 - 5.5V	
LS35 - 12	12V	3A	10.8 - 13.2V	
LS35 - 15	15V	2.4A	13.5 - 16.5V	
LS35 - 24	24V	1.5A	22 - 27.2V	
LS35 - 36	36V	1.0A	32 - 40V	
LS35 - 48	48V	0.8A	42 - 54V	

Description

The **LS** series DC power supply range is a new design aimed at "low cost" industrial applications, and supplements our flagship HWS series product.

It complies with all the international safety and EMC standards and to EN61000-3-2 Harmonics and 50°C at full load.

The availability of standard output voltages, plus user adjustable 10% range, makes the LS Series suitable for a wide range of industrial applications.

• For more detailed information on the LS series, visit our website.

Options

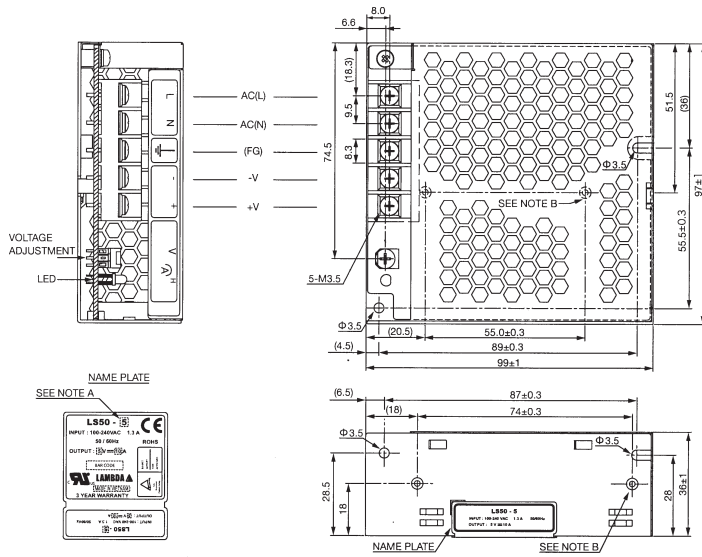
N/A

Model	Output			Power W
	V	A	V Range	
LS50 - 3	3.3V	10A	3.0 - 3.6V	50W
LS50 - 5	5V	10A	4.75 - 5.5V	
LS50 - 12	12V	4.2A	10.8 - 13.2V	
LS50 - 15	15V	3.4A	13.5 - 16.5V	
LS50 - 24	24V	2.2A	22 - 27.2V	
LS50 - 36	36V	1.4A	32 - 40V	
LS50 - 48	48V	1.1A	42 - 54V	
LS75 - 3	3.3V	15A	3.0 - 3.6V	
LS75 - 5	5V	12A	4.75 - 5.5V	
LS75 - 12	12V	6A	10.8 - 13.2V	
LS75 - 15	15V	5A	13.5 - 16.5V	
LS75 - 24	24V	3.2A	22 - 27.2V	
LS75 - 36	36V	2.1A	32 - 40V	
LS75 - 48	48V	1.6A	42 - 54V	
LS100 - 3	3.3V	20A	3.0 - 3.3V	100W
LS100 - 5	5V	16A	4.75 - 5.5V	
LS100 - 12	12V	8.5A	10.8 - 13.2V	
LS100 - 15	15V	7A	13.5 - 16.5V	
LS100 - 24	24V	4.5A	22 - 27.2V	
LS100 - 36	36V	3A	32 - 40V	
LS100 - 48	48V	2.3A	42 - 54V	
LS150 - 3	3.3V	30A	3.0 - 3.3V	
LS150 - 5	5V	26A	4.75 - 5.5V	
LS150 - 12	12V	12.5A	10.8 - 13.2V	
LS150 - 15	15V	10A	13.5 - 16.5V	
LS150 - 24	24V	6.5A	22 - 27.2V	
LS150 - 36	36V	4.3A	32 - 40V	
LS150 - 48	48V	3.3A	42 - 54V	

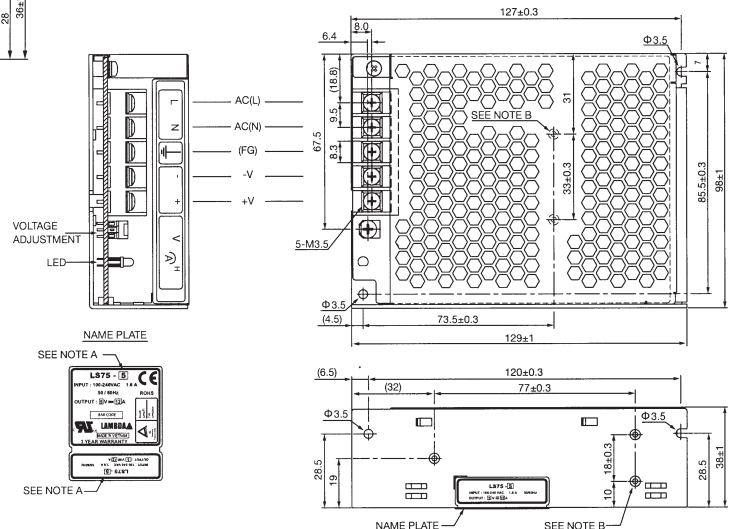
LS SERIES

AC/DC Single Output: 25 - 150 Watts

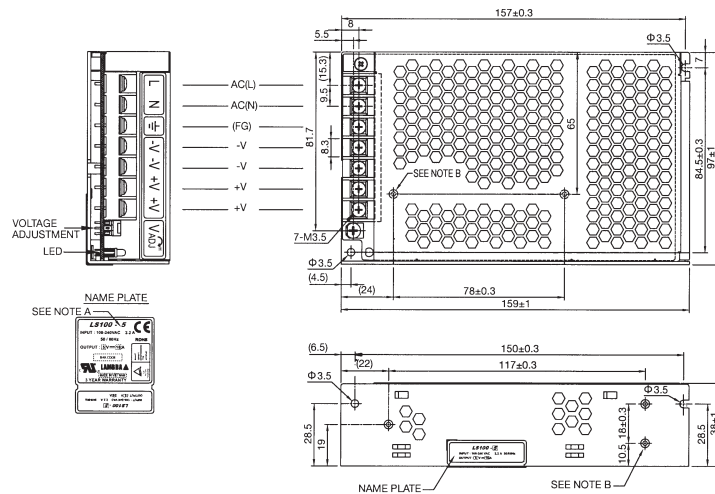
LS50



LS75



LS100



LS150

