

# DCW SERIES

## DC/DC Single Output: 100-200 Watts



### Features

- Wide input, 20~60 VDC, 65~160 VDC
- Customised input voltages on request
- Filtered to meet EN55022 Class A EMI
- Fully isolated input - output 1500 VDC
- Open frame or vented case option
- Double regulator overvoltage protection
- Overload protection
- MTBF 150,000 hours
- Inrush current limiting
- Special output voltages up 120V on request
- 150W available as a Eurocard:  
3U x 10HP x 160mm

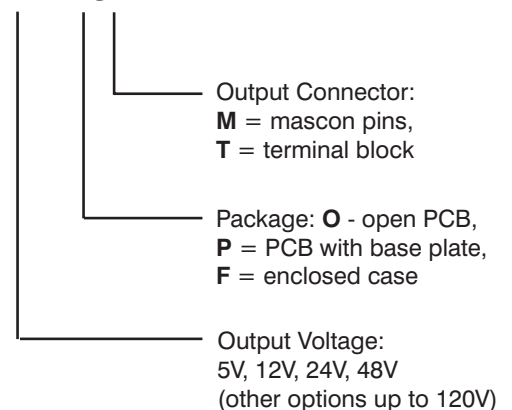
### Specifications

<b>INPUT VOLTAGE:</b>	20~60 VDC, 110 VDC (65~160)
<b>INPUT PROTECTION:</b>	Thermal fuse, inrush current limiting
<b>INPUT ISOLATION:</b>	Input - Chassis 1500 VDC Input - Output 1500 VDC Output - Chassis 500 VDC
<b>EFFICIENCY:</b>	Model dependent typically 80~85%
<b>OUTPUT POWER:</b>	100~200 watts
<b>OUTPUT VOLTAGE:</b>	5V, 12V, 24V and 48V are standard, other voltages on request
<b>VOLTAGE ADJUSTMENT:</b>	±5%
<b>LINE &amp; LOAD REGULATION:</b>	±1% combined from no load to full load
<b>OVERVOLTAGE PROTECTION:</b>	Double regulator loop & tranzorb clamp
<b>OVERLOAD PROTECTION:</b>	Current limiting with short circuit protection - hiccup mode
<b>RFI:</b>	Designed to EN55022 Class A conducted
<b>OUTPUT RIPPLE &amp; NOISE:</b>	Better than 1% output voltage pk-pk (20MHz BW)
<b>OPERATING TEMP:</b>	0°C to 50°C. Consult office for higher operating temperature options.
<b>TEMPERATURE DRIFT:</b>	0.03% per °C over operating range
<b>MTBF:</b>	150,000 hours
<b>DIMENSIONS:</b>	100W: 87 x 155 x 50mm 150W: 198 x 112 x 51mm 200W: 254 x 113 x 58mm
<b>WEIGHT:</b>	100W: 560g 150W: 900g 200W: 1.13kg
<b>TERMINAL:</b>	Screw terminal block

Model	Input	Output V	Output A	Power W
DCW100 - 5 FT	20-60V	5V	15A	75W
DCW100 - 12 FT	20-60V	12V	8A	96W
DCW100 - 24 FT	20-60V	24V	4A	96W
DCW100 - 48 FT	20-60V	48V	2A	96W
DCW150 - 12 FT	20-60V	12V	12A	144W
DCW150 - 24 FT	20-60V	24V	6A	144W
DCW150 - 48 FT	20-60V	48V	3A	144W
DCW100 - 110 - 5 FT	110V	5V	15A	75W
DCW100 - 110 - 12 FT	110V	12V	8A	96W
DCW100 - 110 - 24 FT	110V	24V	4A	96W
DCW100 - 110 - 48 FT	110V	48V	2A	96W
DCW150 - 110 - 12 FT	110V	12V	12A	144W
DCW150 - 110 - 24FT	110V	24V	6A	144W
DCW150 - 110 - 48FT	110V	48V	3A	144W
DCW200 - 12FT	20 - 60V	12V	16A	192W
DCW200 - 24FT	20 - 60V	24V	8A	192W
DCW200 - 48FT	20 - 60V	48V	4A	192W
DCW200 - 110 - 12FT	110V	12V	16A	192W
DCW200 - 110 - 24FT	110V	24V	8A	192W
DCW200 - 110 - 48FT	100V	48V	4A	192W

• Other output voltages on request up to 120VDC

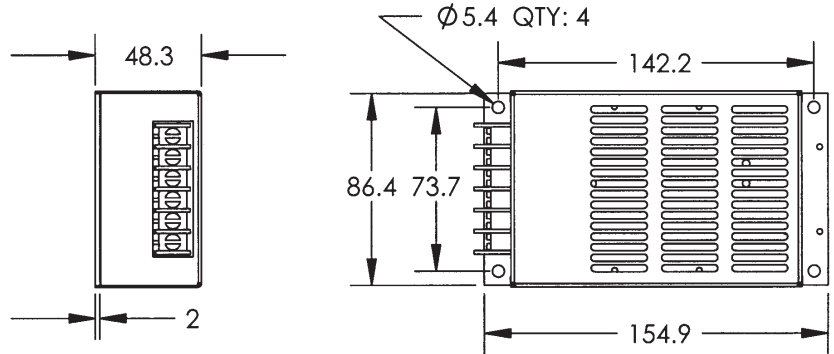
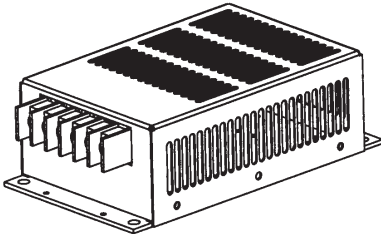
### DCW100 - 24 - OM



# DCW SERIES

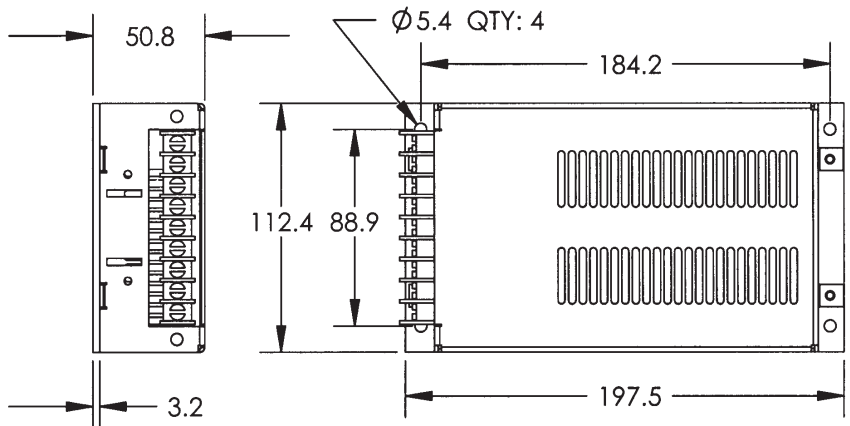
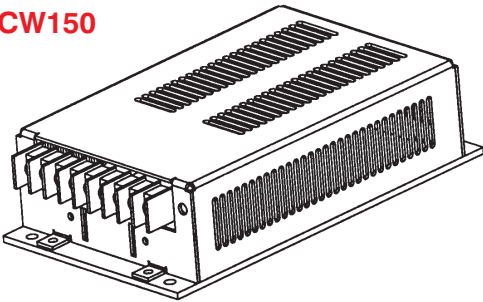
DC/DC Single Output: 100-200 Watts

## DCW100



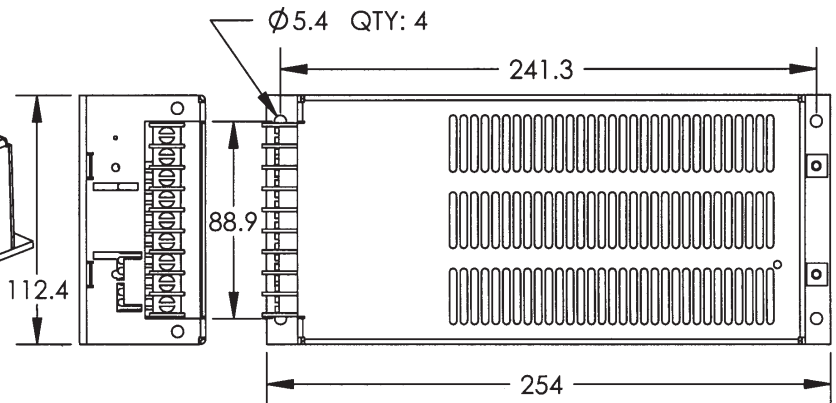
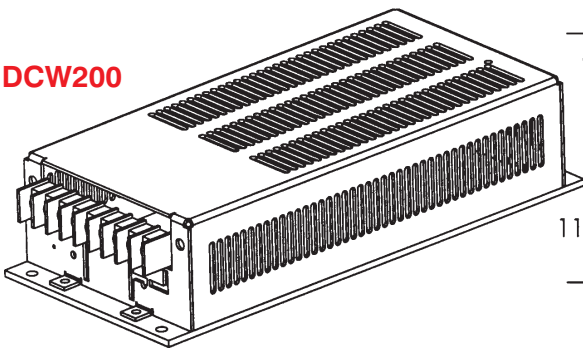
OUTPUT			INPUT		
-	+	N/C	GND	-	+

## DCW150



OUTPUT						INPUT		
N/C	N/C	-	-	+	+	GND	-	+

## DCW200



OUTPUT						INPUT		
N/C	N/C	N/C	-	+	N/C	GND	-	+