

Picture shows Type 3 alarm card

SPECIFICATIONS

- Multi function alarm card
- 2 x DC adjustable high or low volt alarms - independently adjustable
- Earth fault alarm when either + or - rail < 80kohms to earth
- C/O relay contacts rated 30VDC,2A / 110VDC,0.3A / 125VAC,0.5A
- Available in different combinations, eg. DC low/high, earth fault detection only,etc.

ORDERING CODES

TYPE	MODEL	DC Input 1	DC Input 2	Earth Fault
1	+ALARM/1LOW	11-16V	N/F	N/F
1	+ALARM/1MID	20-60V	N/F	N/F
1	+ALARM/1HIGH	61-150V	N/F	N/F
1	+ALARM/EFDM	N/F	N/F	20- 60V
1	+ALARM/EFDH	N/F	N/F	61-150V
2	+ALARM/LOW	11-16V	11-16V	N/F
2	+ALARM/MID	20-60V	20-60V	N/F
2	+ALARM/HIGH	61-150V	61-150V	N/F
2	+ALARM/MID/EFD	20-60V	N/F	20-60V
2	+ALARM/HI/EFDH	61-150V	N/F	61-150V
3	+ALARM/MID/MID/EFDM	20-60V	20-60V	20-60V
3	+ALARM/HI/HI/EFDH	61-150V	61-150V	61-150V

OPTIONS

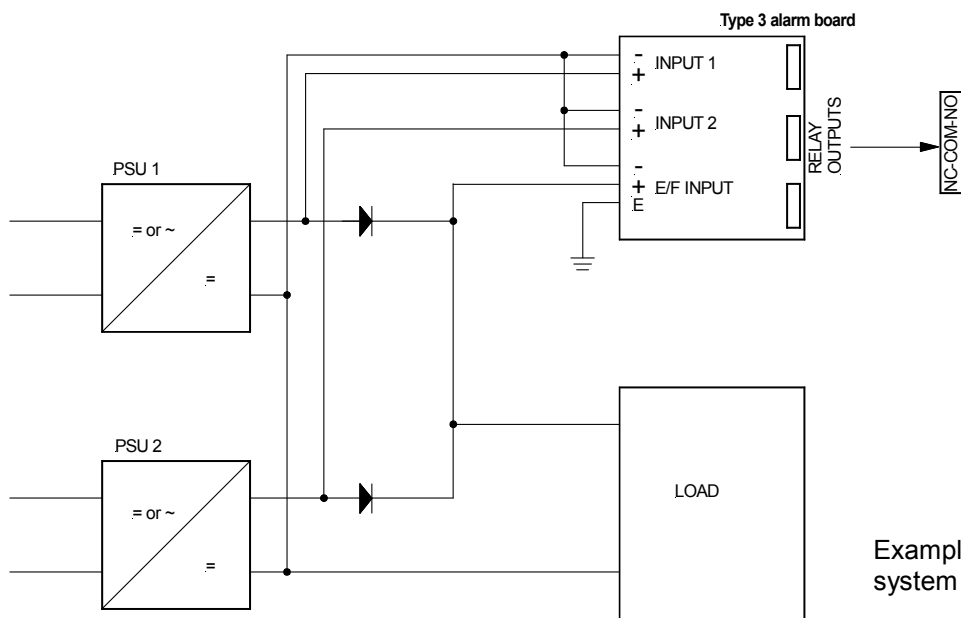
Semi-enclosed version available for panel mounting, add option **+ALARM/COVER**

DIMENSIONS

Printed circuit board: 135 x 53 x 15mm

Enclosure: 127 x 57 x 32mm

N/F = not fitted



Example of N+1 redundant system with alarms.