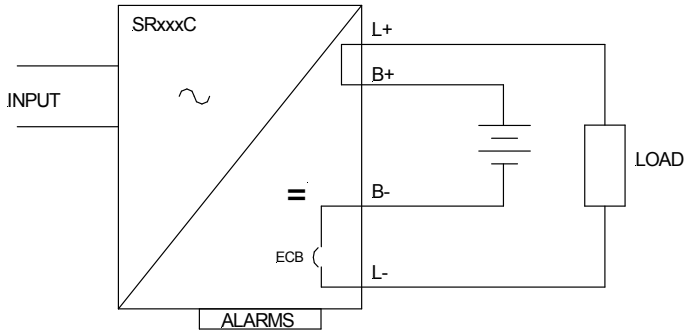


#1 1 x No-Break™ DC charger and 1 x battery bank

This is the basic connection which is most commonly used, and provides adequate protection for the majority of systems requiring DC back up in the event of a mains power failure.



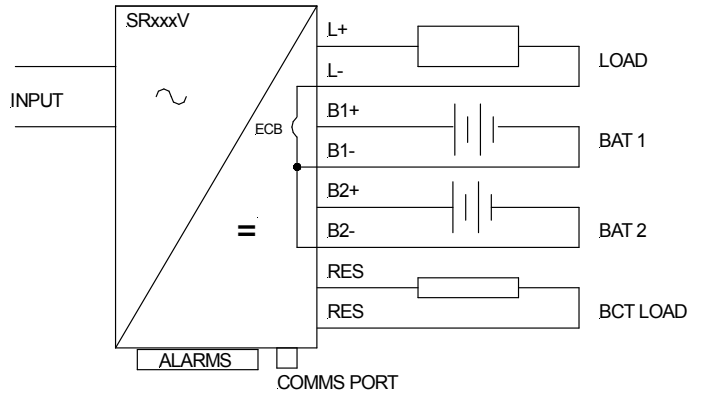
Single battery DC backup system

Alarms Available

Power OK	YES
Battery Missing	YES
Battery Low	YES
Battery Condition Test Fail	YES

#2 1 x No-Break™ DC charger and 2 x battery banks

The SR250xxxV No-Break™ DC UPS is designed to provide superior battery backup availability without having to use two power supplies. Dual battery banks and automatic battery condition testing reduce the risk of battery failure for critical applications.



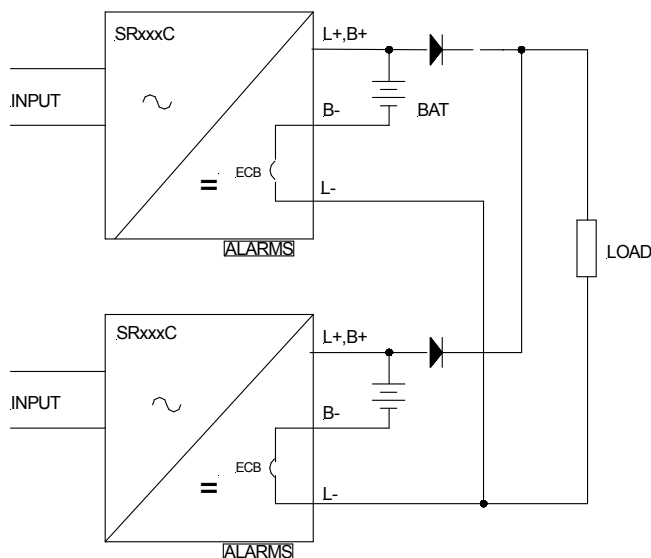
N+1 redundancy for batteries

Alarms Available

Power OK	YES
Battery Missing (B1&B2)	YES
Battery Low (B1&B2)	YES
Battery Condition Test Fail (B1 & B2)	YES

#3 2 x No-Break™ DC chargers and 2 x battery banks

2 x No-Break™ DC chargers connected in parallel with separate battery banks & output diodes. This solution provides an extremely high level of redundancy for very critical applications, with redundancy of the battery in addition to the power supply. The diodes isolate the units from one another in the event of a short circuit appearing at the other output and aid current sharing.



N+1 redundancy for charger and batteries

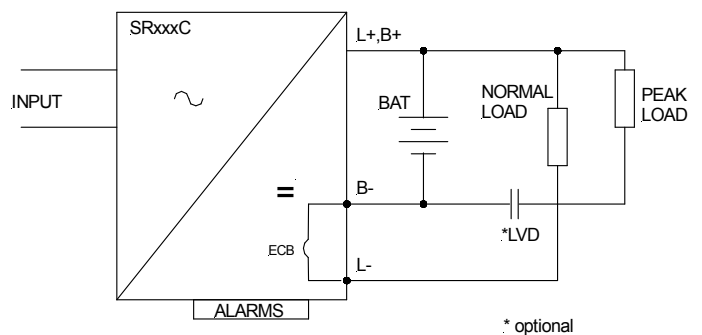
Alarms Available

Power OK	YES
Battery Missing	YES
Battery Low	YES
Battery Condition Test Fail*1	YES

*1 interlock circuit required for automated BCT

#4 No-Break™ DC Connection for high peak loads

This is a basic connection which is used when there is a connected load with a peak current greater than 1.5 times the rated current of the charger. Standing loads are connected normally and an optional external low voltage disconnect may be used for the peak load.



Single battery DC backup system for peak loads

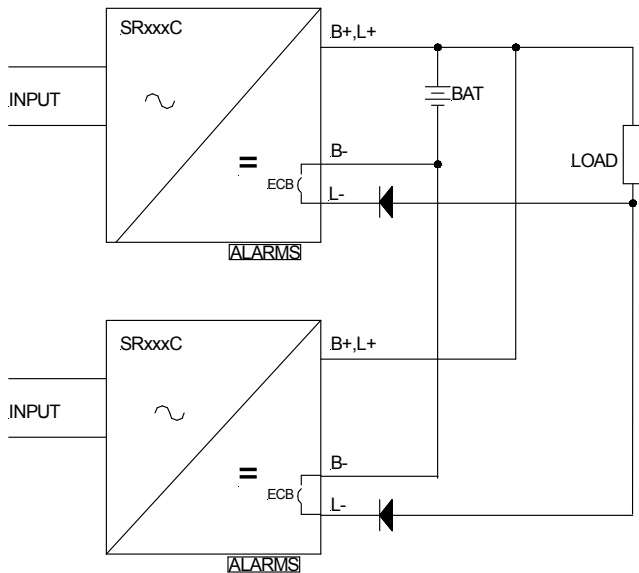
Alarms Available

Power OK	YES
Battery Missing	YES
Battery Low	YES
Battery Condition Test Fail	YES

No-Break DC connections (continued)

#5 N+1 for No-Break™ DC charger and single battery bank

This connection provides for redundancy of the charger and retains most of the No-Break functions.

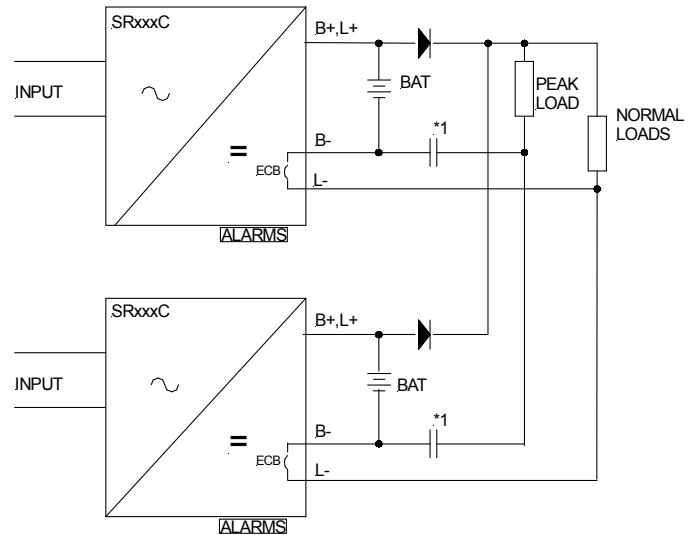


Alarms available	
Power OK	YES
Battery missing	NO
Battery low	YES
Battery condition test fail*1	YES

*1 Interlock circuit is required for BCT function to synchronise both chargers

#6 N+1 for No-Break™ DC charger and N+1 for battery bank (use this connection for high peak loads)

All No-Break alarms are available and the low voltage disconnect for the peak load is optionally implemented with an external relay.



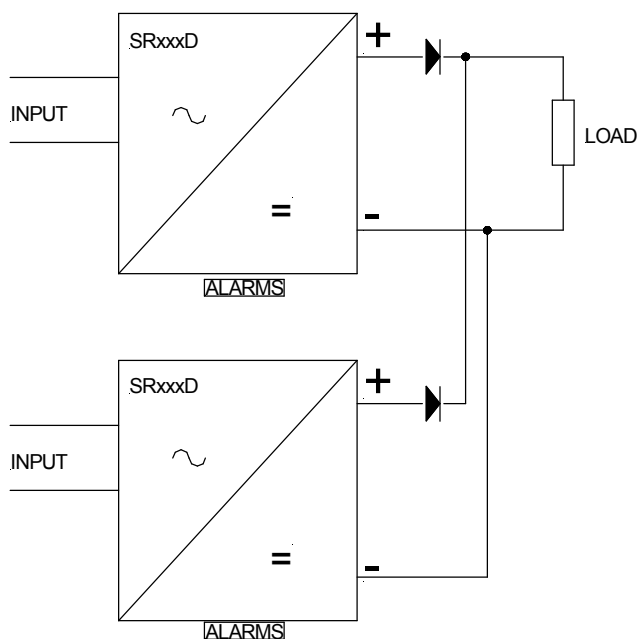
*1 OPTIONAL LVD

Alarms available	
Power OK	YES
Battery missing	YES
Battery low	YES
Battery condition test fail *2	YES

*2 Interlock circuit is required to control the sequencing of the BCT

Standard N+1 redundant DC connections

#7 Standard AC/DC power supplies with alarms and external diodes



#8 Standard AC/DC power supplies with internally fitted diodes (applies only to SR100P and SR250P models with outputs >12VDC)

