



**Batteries supplied separately**

◆ 24 Month Warranty

- SR250C(M) No-Break™ DC UPS in wall mount enclosure
- Load output may be set at nominal voltage (not at battery float voltage)
- Seamless transition (No-Break™) to battery operation upon mains or PSU failure
- Refer to SR250C data sheet for full specifications of power supply
- 3 sets load output terminals
- Room for 4 x 7Ah or 2 x 12Ah sealed lead acid batteries
- Lockable enclosure
- Proven No-Break™ performance
- ISO9001 certified quality management system

\* Security type enclosure has 'knockout' holes for top or side cable entry

**SPECIFICATIONS** All specifications are typical at nominal input, full load and at 20°C unless otherwise stated.

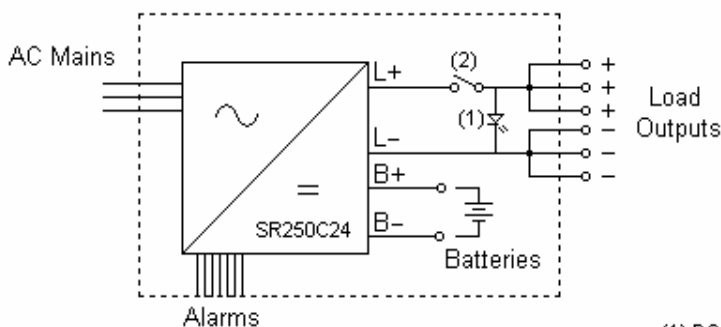
### ELECTRICAL

|                            |  |
|----------------------------|--|
| <b>Input</b>               | 180~264VAC, 200~375VDC<br>80~132VAC, 110~180VDC (optional)   |
| <b>Fusing / Protection</b> | Internal input & output (battery) fuses <b>plus</b> PSU current limit <b>plus</b> electronic circuit breaker for battery overcurrent |
| <b>Isolation</b>           | 3.5KV AC (1 min.) input / output<br>1KV DC input / earth   |
| <b>Output Power</b>        | 250W   |
| <b>Output Voltage</b>      | Refer to model table   |

### PHYSICAL

|                                 |   |
|---------------------------------|---|
| <b>AC Input connector</b>       | 1.5m long with Australasian 3 pin plug  |
| <b>DC Connections</b>           | Screw type terminal block   |
| <b>Enclosure</b>                | White powder coated steel enclosure with lockable door (lock & 2 keys included) |
| <b>Indicators &amp; control</b> | DC available LED, DC isolate switch   |
| <b>Alarm outputs</b>            | Power OK, DC system OK (1A,50VDC)   |
| <b>Dimensions</b>               | 310W x 330H x 130D  |
| <b>Weight (approx)</b>          | 5.3 kg excluding batteries  |

### TYPICAL CONNECTION DIAGRAM



(1) DC available LED  
(2) DC isolate switch

### ADDITIONAL NOTES

1. The complete system is capable of delivering 2.5 x rated PSU current to the load and all load cabling should be rated for this current unless fused otherwise.
2. The battery will be disconnected from the load under the following conditions and activate the DC system OK alarm (settings customizable):
  - battery voltage drops to 1.67V/cell (~ 20V for a 24 V system)
  - battery current is greater than 1.5x rated PSU current (~ 14A)
3. Reverse battery connection will open internal DC fuse (and activate DC system OK alarm)
4. Other output voltages available, **please ask**

### MODEL TABLE

| MODELS   | DC Output           |                        |                                 |                      |                   |                   |
|----------|---------------------|------------------------|---------------------------------|----------------------|-------------------|-------------------|
|          | Output Voltage Load | Output Voltage Charger | Max. Recomm. Cont. Load Current | Charge Current Limit | Peak Load Current | PSU Rated Current |
| SN27/10S | 27.6V               | 27.6V                  | 6.0A                            | 3.0A                 | 23A               | 9.0A              |
| SN24/10S | 24.0V               | 27.2V                  | 7.4A                            | 3.0A                 | 26A               | 10.4A             |