



SR100 i shown)



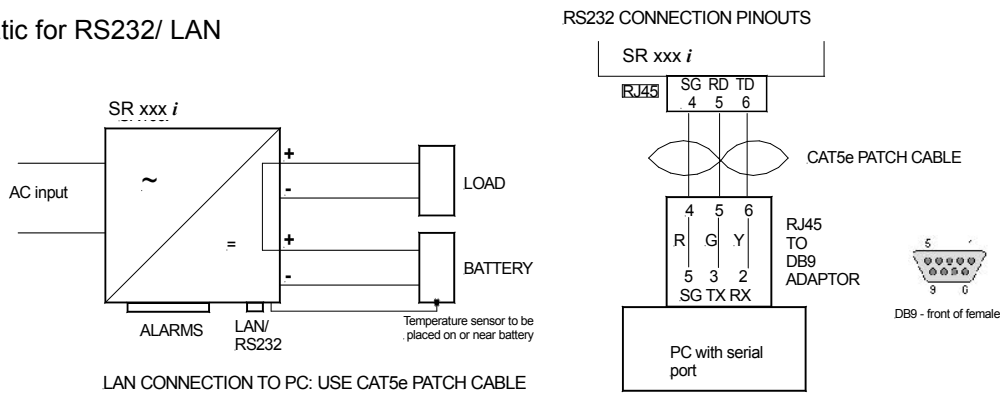
Optional protocol converter

◆ 24 Month Warranty

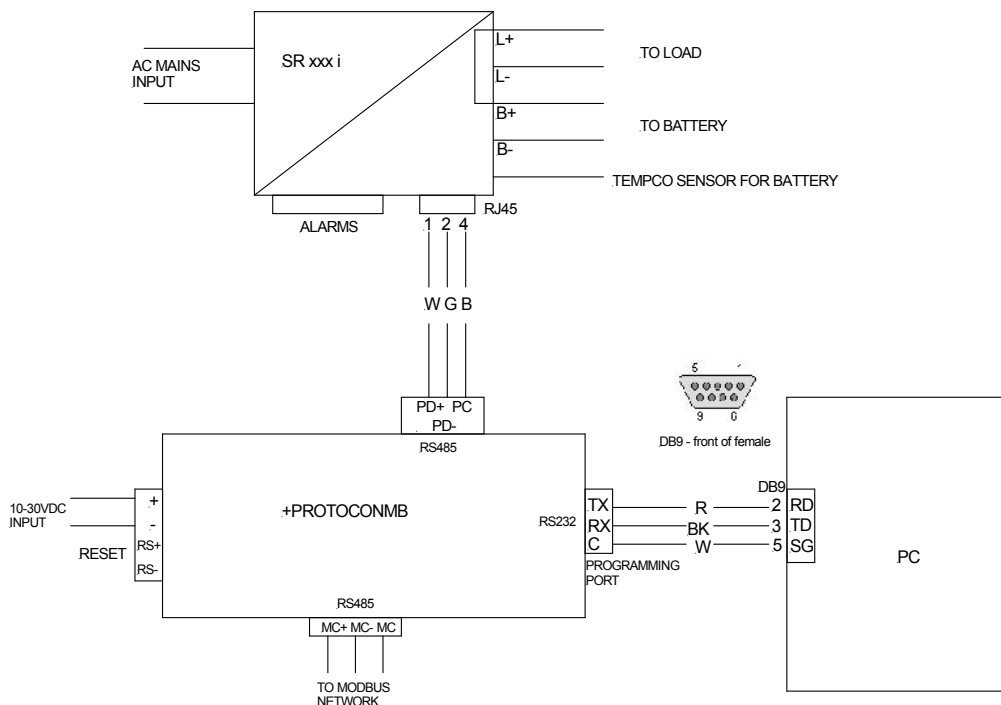
- Choice of RS485,RS232 or LAN connection
- SNMP available using LAN connection
- Optional Modbus protocol converter available for use with RS485 output
- Connect Modbus output to existing PLC or Scada system
- Remote live monitoring of output voltage, battery & PSU current, battery temperature, alarm conditions
- 9 alarm state signals / 4 command functions
- Remote enable/disable/initiation of battery condition test
- Programming port for initial setup & local monitoring using PC
- BCT (battery condition test) may be enabled or disabled by user

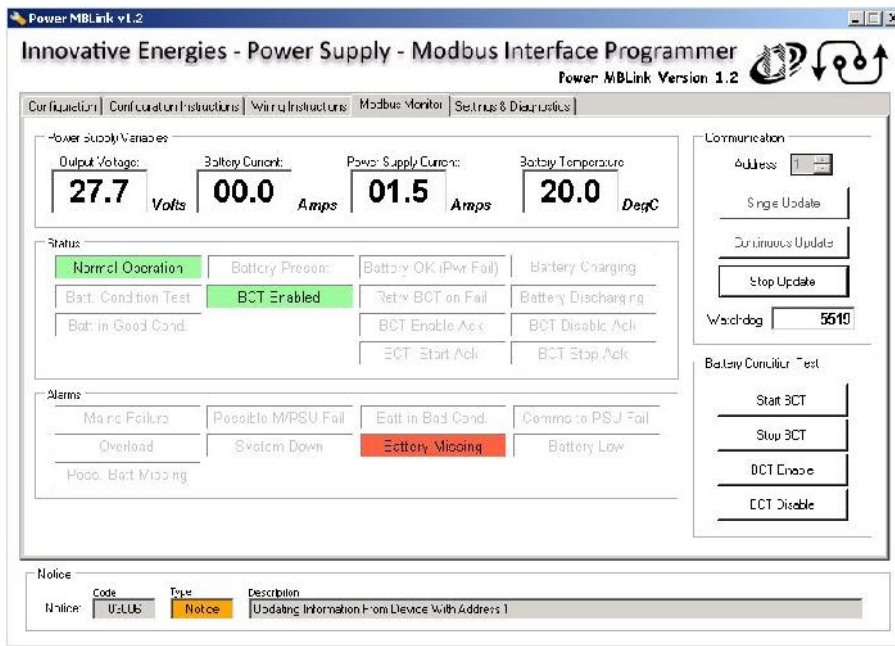
**SPECIFICATIONS:** Please refer to: 1. SR\*\*\*C data sheets for full specifications on power supplies.  
2. +PROTOCONMB data sheets for full specifications on protocol converters.

1. Block schematic for RS232/ LAN



2. Block schematic for RS485 with protocol converter





Typical screen shot using Modbus protocol converter



Optional protocol converter

**ALARM CONDITIONS DISPLAYED**

- Mains Failure
- Possible Mains/PSU Fail
- Battery in Bad Condition
- Communications to PSU Fail (eg. on LV disconnect)
- Overload
- System Down
- Battery Missing
- Battery Low
- Possible Battery Missing

**COMMAND FUNCTIONS**

- BCT Enable
- BCT Disable
- BCT Start
- BCT Stop

**OPTIONS**

**Communication Protocols available from PSU/charger**

**RS485, RS232, LAN** versions transmit IE proprietary ASCII code.  
**LAN+** version is SNMP compatible

**Modbus Protocol Converter**

Protocol Converter for use with comms. output from PSU, with programming port for PC & Modbus compatible output. **Power MBLink** setup software included.

Modbus protocol versions available:

- RTU
- TCP/IP

Codes: **+PROTOCONMB**: supports Modbus RTU on RS485 link

**+PROTOCONMB-OE**: supports Modbus RTU on RS485 or RS232 link and Modbus TCP/IP over ethernet

**Standard DC power supply**

**SR\*\*\* L** versions, without **No-Break™** features, available with 3 alarms and communications port.

**MODEL CODING AND SELECTION CHART**

**SR250 i 12 T F S L 485**

Type of communications interface port    **485** = RS485    **232** = RS232    **LAN** = Ethernet (ASCII)  
**LAN+** = Ethernet (SNMP)

